



**FULCRUM**

**OFFROAD SPARE PARTS CATALOGUE**

**2009**

**OFFROAD  
SPARE  
PARTS  
CATALOGUE  
2009**

## RIMS AND SPOKES / CERCHI E RAGGI / JANTES ET RAYONS

RED CARBON disc .....	3
RED METAL ZERO disc .....	8
RED METAL ZERO HH disc.....	9
RED METAL ZERO rim brake .....	10
RED METAL 1 disc.....	19
RED METAL 1 HH disc.....	20
RED METAL 3 disc.....	27
RED METAL 3 HH disc.....	28
RED METAL 5 disc.....	35
RED METAL 29 XLR disc.....	40
RED METAL 29 SL disc .....	43
RED FIRE disc .....	46

## HUBS / MOZZI / MOYEUX

RED CARBON disc 6 bolts iso.....	4
RED CARBON disc Axial Fixing System™.....	6
RED METAL ZERO disc 6 bolts iso.....	11
RED METAL ZERO disc Axial Fixing System™.....	12
RED METAL ZERO HH disc 6 bolts iso.....	15
RED METAL ZERO HH disc Axial Fixing System™.....	16
RED METAL ZERO rim brakes .....	17

RED METAL 1 disc 6 bolts iso.....	21
RED METAL 1 disc Axial Fixing System™.....	23
RED METAL 1 HH disc 6 bolts iso .....	25
RED METAL 1 HH disc Axial Fixing System™.....	26
RED METAL 3 disc 6 bolts iso.....	29
RED METAL 3 disc Axial Fixing System™.....	31
RED METAL 3 HH disc 6 bolts iso .....	33
RED METAL 3 HH disc Axial Fixing System™.....	34
RED METAL 5 disc 6 bolts iso.....	36
RED METAL 5 disc Axial Fixing System™.....	38
RED METAL 29 XLR disc 6 bolts iso.....	41
RED METAL 29 SL disc 6 bolts iso.....	44
RED FIRE disc 6 bolts iso .....	47

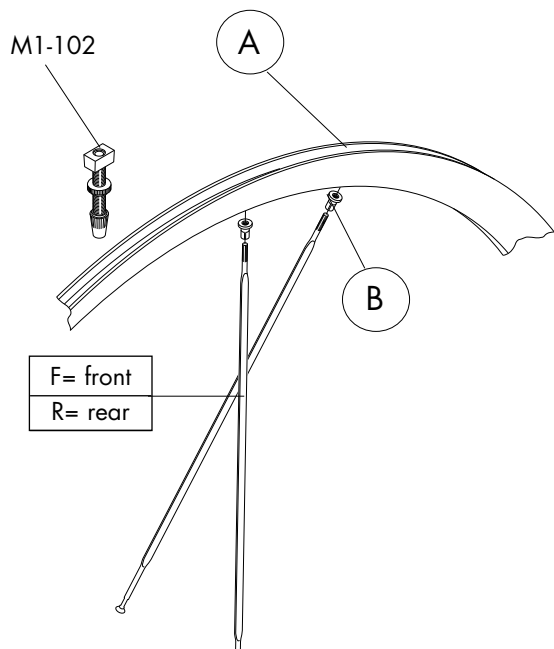
<b>Quick-releases / bloccaggi / blocages.....</b>	<b>49</b>
---	-----------

<b>Tools &amp; Various/Utensili e Varie/Outils et diverses ....</b>	<b>50</b>
---	-----------



# REDCARBON DISC

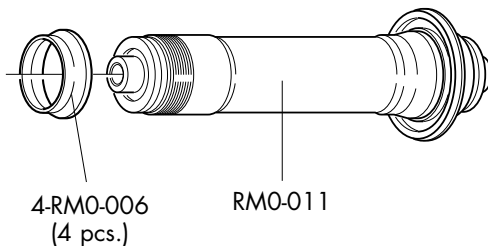
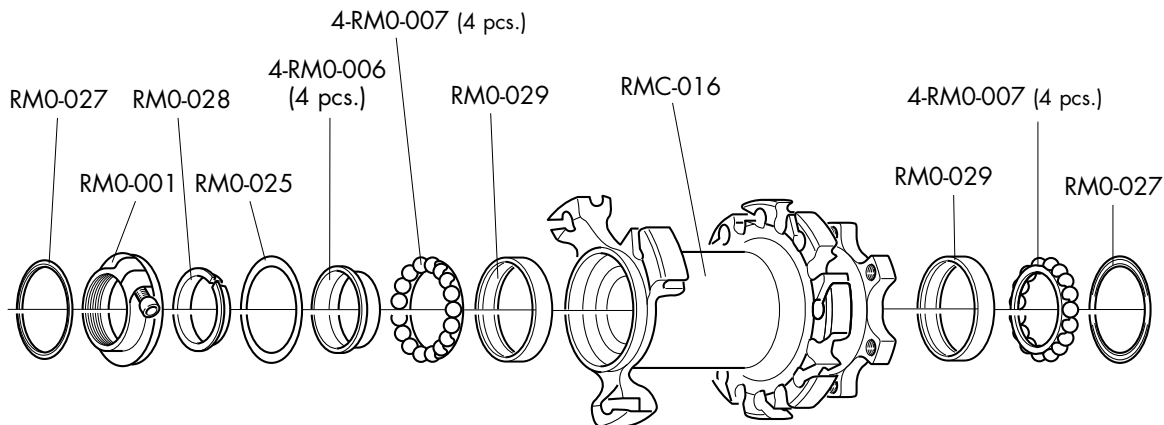
## RIMS & SPOKES/CERCHI E RAGGI/JANTES ET RAYONS



	COMPLETE WHEELS	RIM (A) + M1-102	Compl. spoke KIT	SINGLE SPOKES	
FRONT	6 bolts ISO <b>RMC-9DFK</b>  AFS <b>RMC-9DFKAFS</b>	<b>RMCF-DRK</b>	<b>RMCF-DSK</b> (10F disc+10F+20B)	<b>Front left (disc side) + B</b>  <b>RMCF-DSL</b> L. 265 mm	<b>Front right + B</b>  <b>RMCF-DSR</b> L. 253 mm
REAR	6 bolts ISO <b>RMC-9DRK</b>  AFS <b>RMC-9DRKAFS</b>		<b>RMCR-DSK</b> (10R right+10R left +20B)	<b>Rear left + B</b>  <b>RMCR-DSL</b> L. 249 mm	<b>Rear right + B</b>  <b>RMCR-DSR</b> L. 265 mm
	<b>NIPPLES (B)</b>	<b>COMPLETE LABEL KIT (front+rear)</b>			
	<b>RM0-B</b> (10 pcs.)	<b>RMC-LAB9DK</b>			



# REDCARBON DISC 6 BOLTS ISO FRONT HUB/MOZZO ANTERIORE/MOYEU AVANT



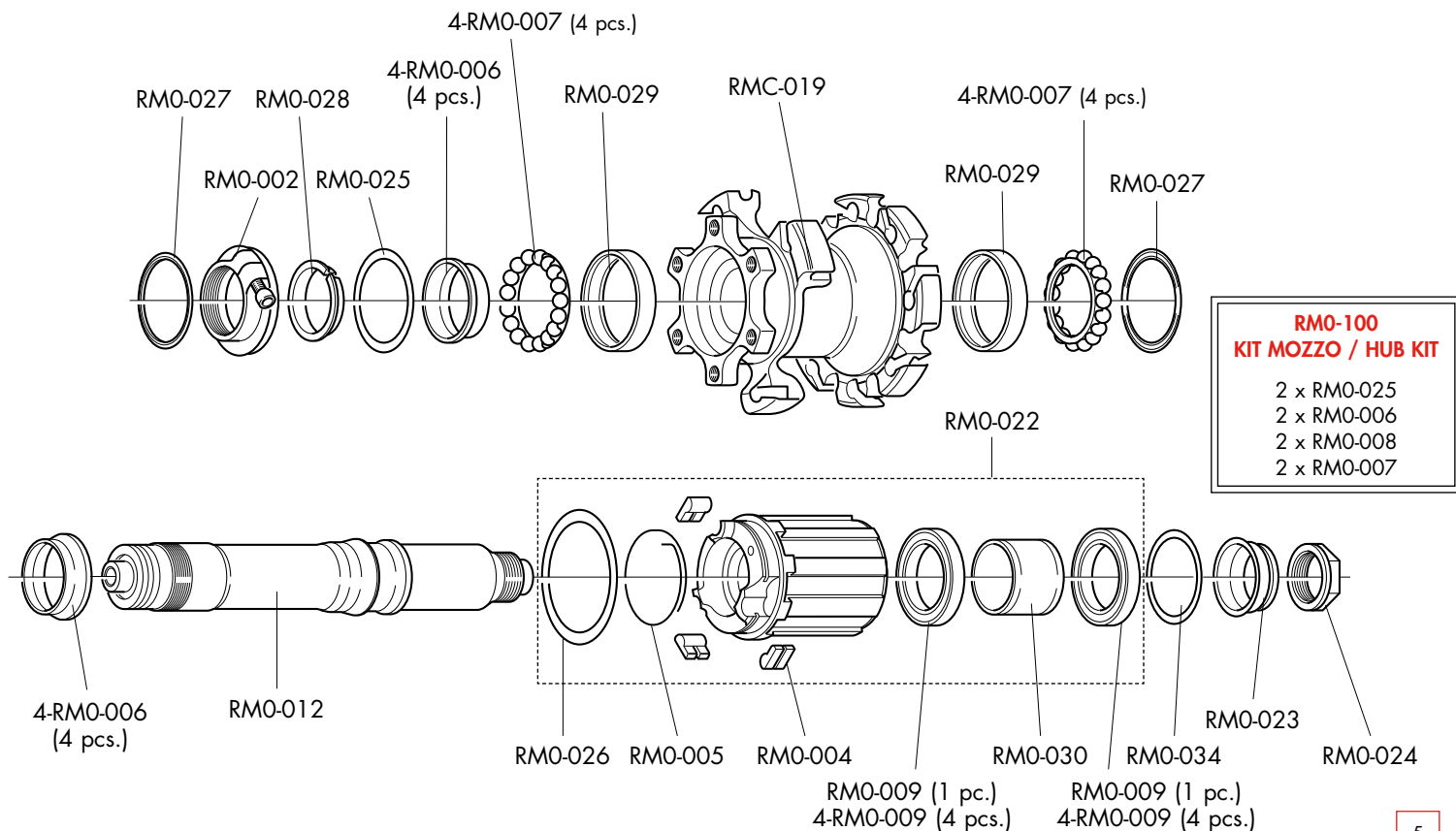
### RM0-100 KIT MOZZO / HUB KIT

- 2 x RM0-025
- 2 x RM0-006
- 2 x RM0-008
- 2 x RM0-007



# REDCARBON DISC 6 BOLTS ISO

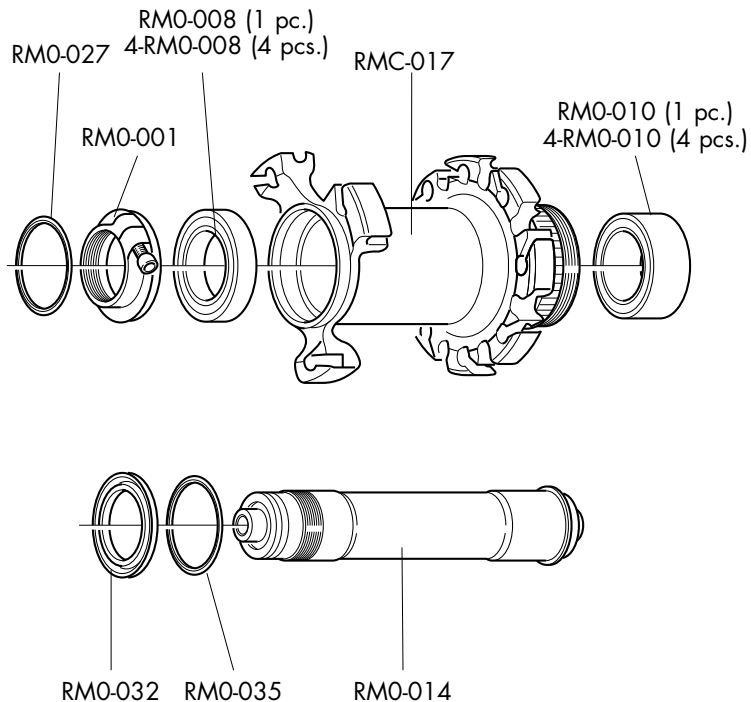
## REAR HUB/MOZZO POSTERIORE/MOYEU ARRIERE





# REDCARBON DISC AFS

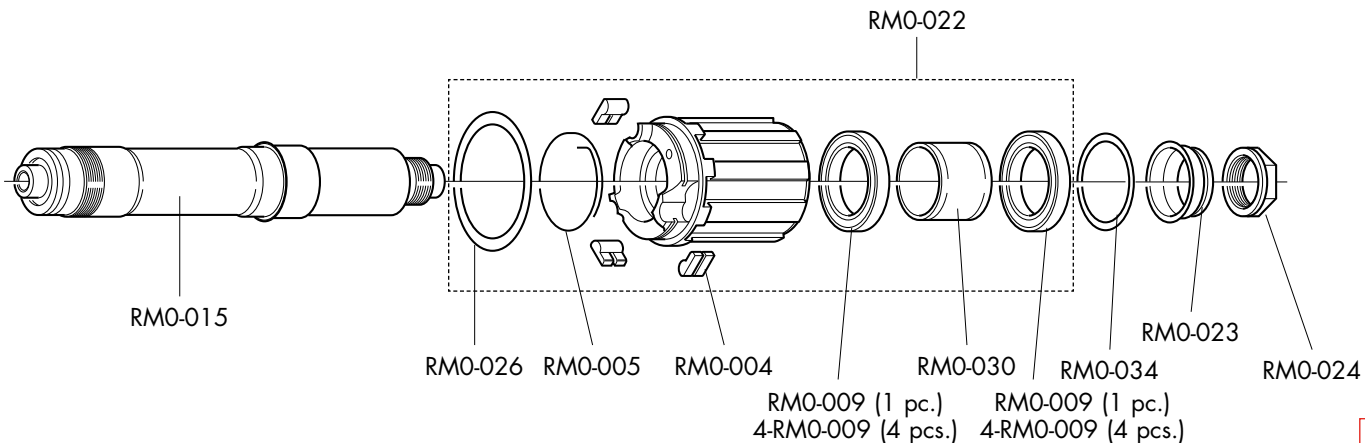
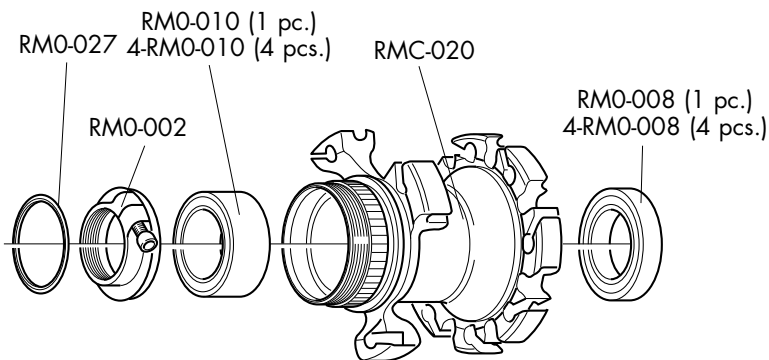
## FRONT HUB/MOZZO ANTERIORE/MOYEU AVANT





# REDCARBON DISC AFS

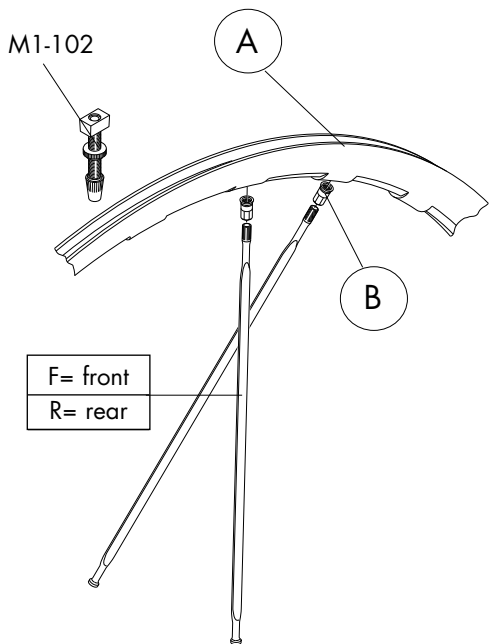
## REAR HUB/MOZZO POSTERIORE/MOYEU ARRIERE





# REDMETALZERO DISC

## RIMS & SPOKES/CERCHI E RAGGI/JANTES ET RAYONS



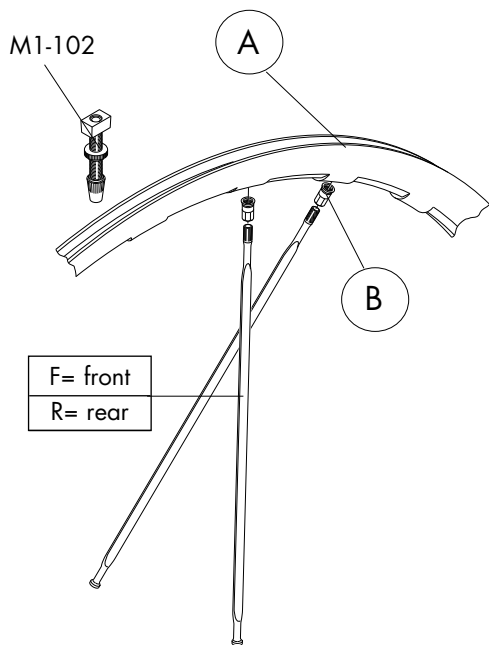
	COMPLETE WHEELS	RIM (A) + M1-102	Compl. spoke KIT	SINGLE SPOKES	
FRONT	6 bolts ISO <b>RM0-8DFB</b>  AFS <b>RM0-8DFBAFS</b>	<b>RM0F-DRB</b> (black)	<b>RM0F-DSK</b> (16F disc+8F+24B)	<b>Front right + B</b>  <b>RM0F-DSL</b> L. 256,9 mm	<b>Front left (disc side) + B &amp; Rear right + B</b>
REAR	6 bolts ISO <b>RM0-8DRB</b>  AFS <b>RM0-8DRBAFS</b>	<b>RM0F-DRR</b> (red)	<b>RM0R-DSK</b> (16R right+8Rleft +24B)	<b>Rear left + B</b>  <b>RM0R-DSR</b> L. 254,9 mm	<b>RM0F-DSR</b> L. 251,4 mm
NIPPLES (B)		<b>COMPLETE LABEL KIT</b> (front+rear)			
<b>RM0-B</b> (10 pcs.)		<b>RM0-LAB8DB</b> (black) <b>RM0-LAB9DRB</b> (red & black)			





# REDMETALZERO HH DISC

## RIMS & SPOKES/CERCHI E RAGGI/JANTES ET RAYONS

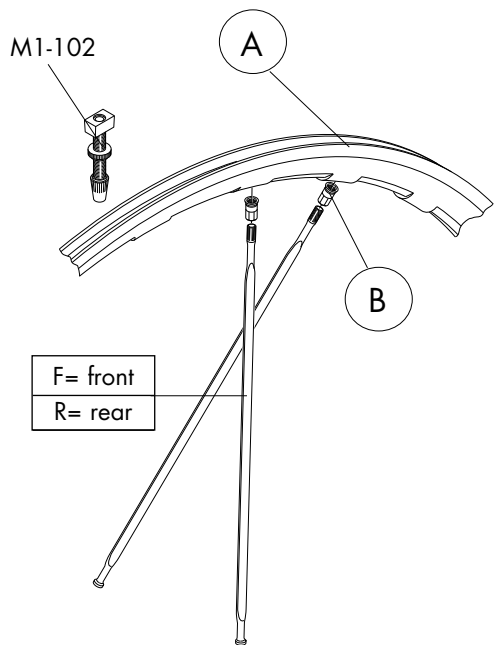


	COMPLETE WHEELS	RIM (A) + M1-102	Compl. spoke KIT	SINGLE SPOKES	
FRONT HH	6 bolts ISO <b>RM0-9DFBH</b>  AFS <b>RM0-9DFBAFSH</b>	<b>RM0F-DRHB</b> (black)  <b>RM0F-DRHR</b> (red)	<b>RM0F-DSK</b>  (16F disc+8F+24B)	<b>Front right + B</b>  <b>RM0F-DSL</b> L. 256,9 mm	<b>Front left (disc side) + B &amp; Rear right + B</b>
REAR	6 bolts ISO <b>RM0-8DRB</b>  AFS <b>RM0-8DRBAFS</b>	<b>RM0F-DRB</b> (black)  <b>RM0F-DRR</b> (red)	<b>RM0R-DSK</b>  (16R right+8Rleft +24B)	<b>Rear left + B</b>  <b>RM0R-DSR</b> L. 254,9 mm	<b>RM0F-DSR</b> L. 251,4 mm
NIPPLES (B)		<b>COMPLETE LABEL KIT</b> (front+rear)			
<b>RM0-B</b> (10 pcs.)		<b>RM0-LAB9DHB</b> (black) <b>RM0-LAB9DHRB</b> (red & black)			



# REDMETALZERO RIM BRAKES

## RIMS & SPOKES/CERCHI E RAGGI/JANTES ET RAYONS



	COMPLETE WHEELS	RIM (A) + M1-102	Compl. spoke KIT	SINGLE SPOKES
FRONT	RM0-8VFS	<b>RM0F-VRS</b>	<b>RM0F-VSK</b> (18F+18B)	Front + B & Rear left + B
REAR	RM0-8VRS	<b>RM0R-VRS</b>	<b>RM0R-VSK</b> (14R right+7R left +21B)	R right + B <b>RM0R-VSK</b> L. 246,4 mm <b>RMOR-VSR</b> L. 254,9 mm

**NIPPLES (B)**

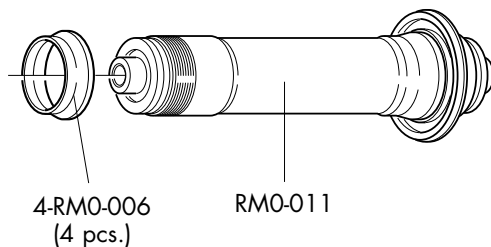
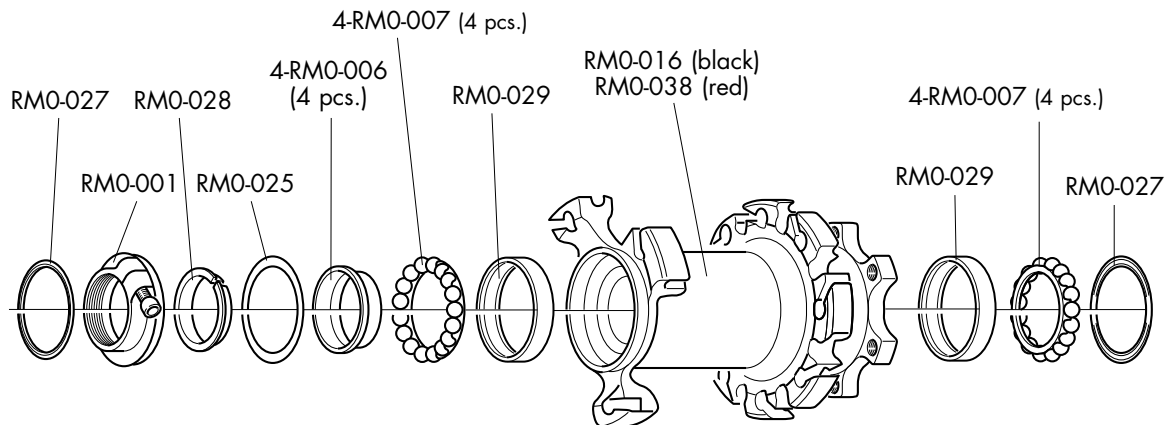
**RM0-B**  
(10 pcs.)

**COMPLETE LABEL KIT**  
(front+rear)  
**RM0-LAB8VS**



# REDMETALZERO DISC 6 BOLTS ISO

## FRONT HUB/MOZZO ANTERIORE/MOYEU AVANT



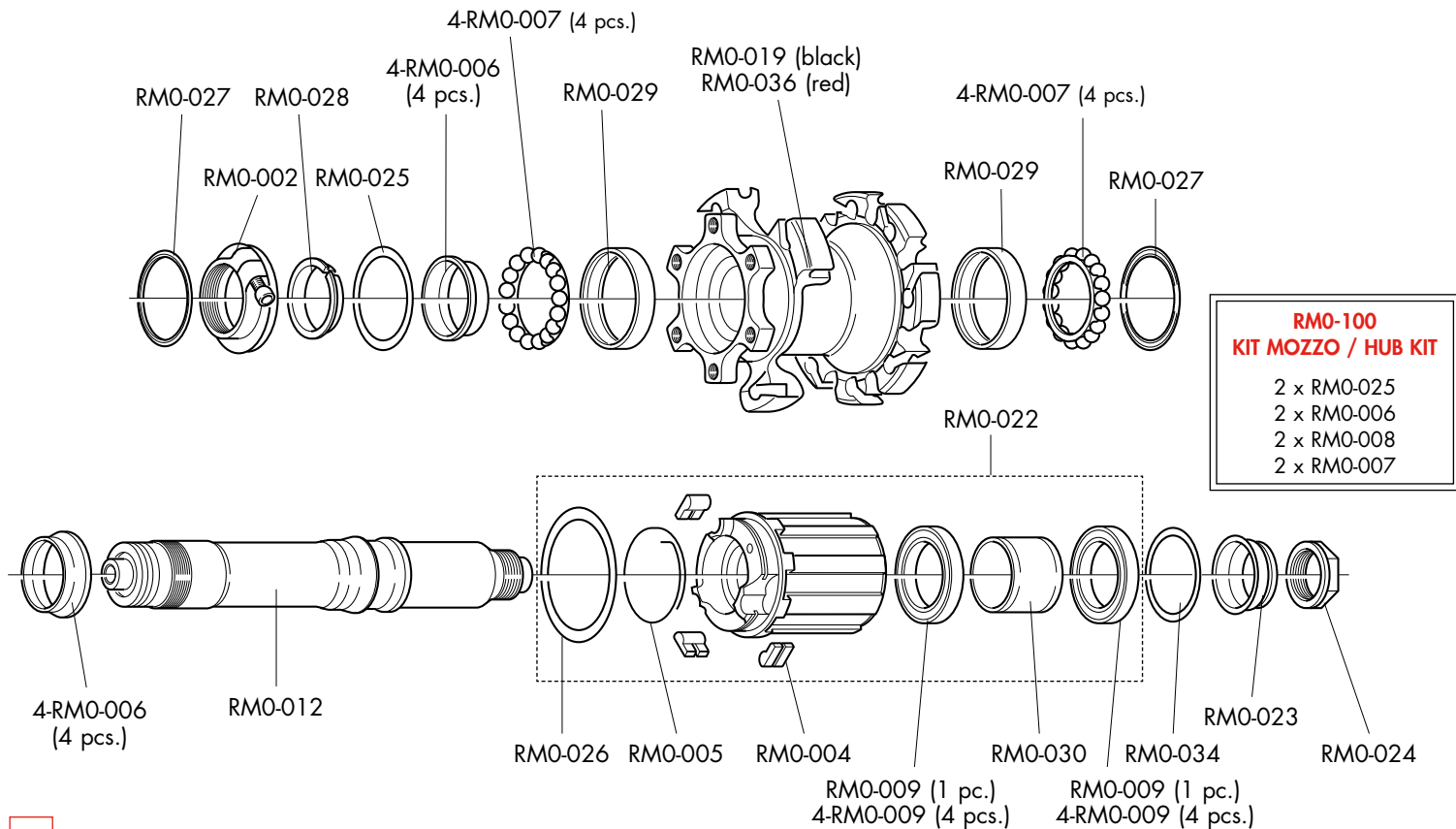
**RM0-100**  
**KIT MOZZO / HUB KIT**

- 2 x RM0-025
- 2 x RM0-006
- 2 x RM0-008
- 2 x RM0-007



# REDMETALZERO DISC 6 BOLTS ISO

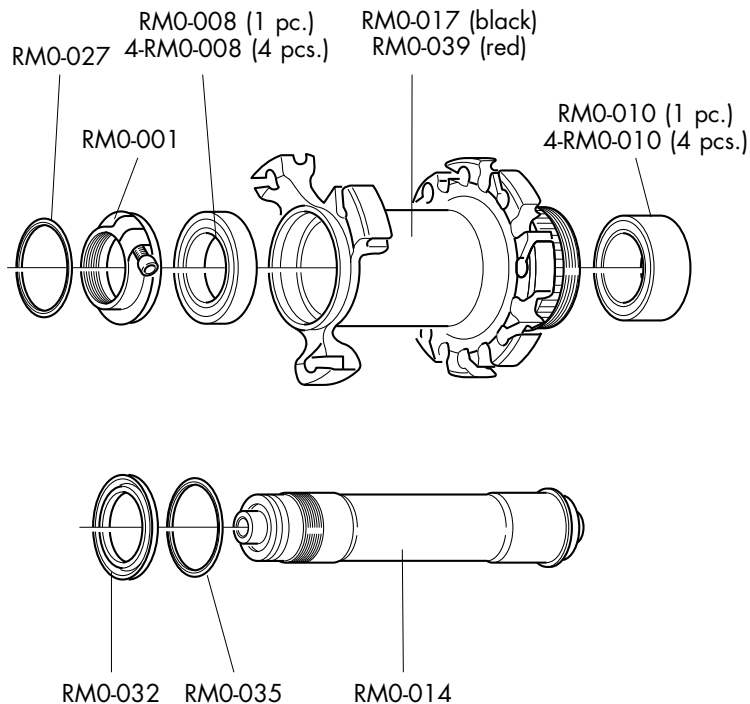
## REAR HUB/MOZZO POSTERIORE/MOYEU ARRIERE





# REDMETALZERO DISC AFS

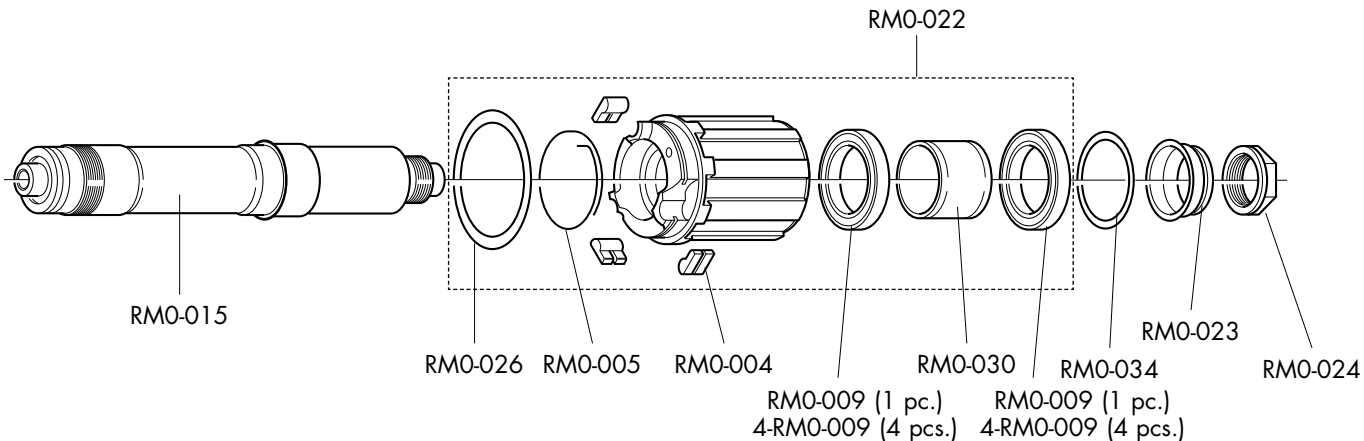
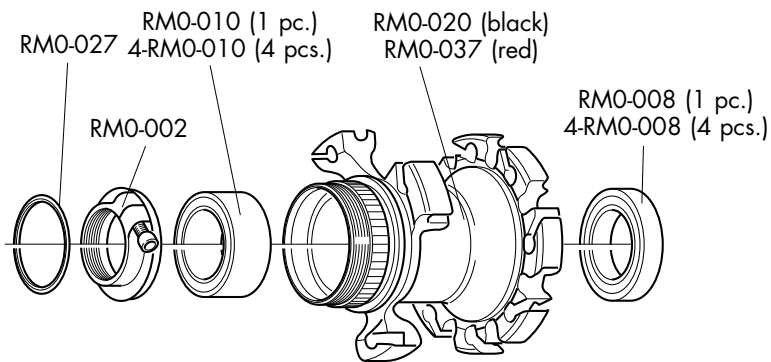
## FRONT HUB/MOZZO ANTERIORE/MOYEU AVANT





# REDMETALZERO DISC AFS

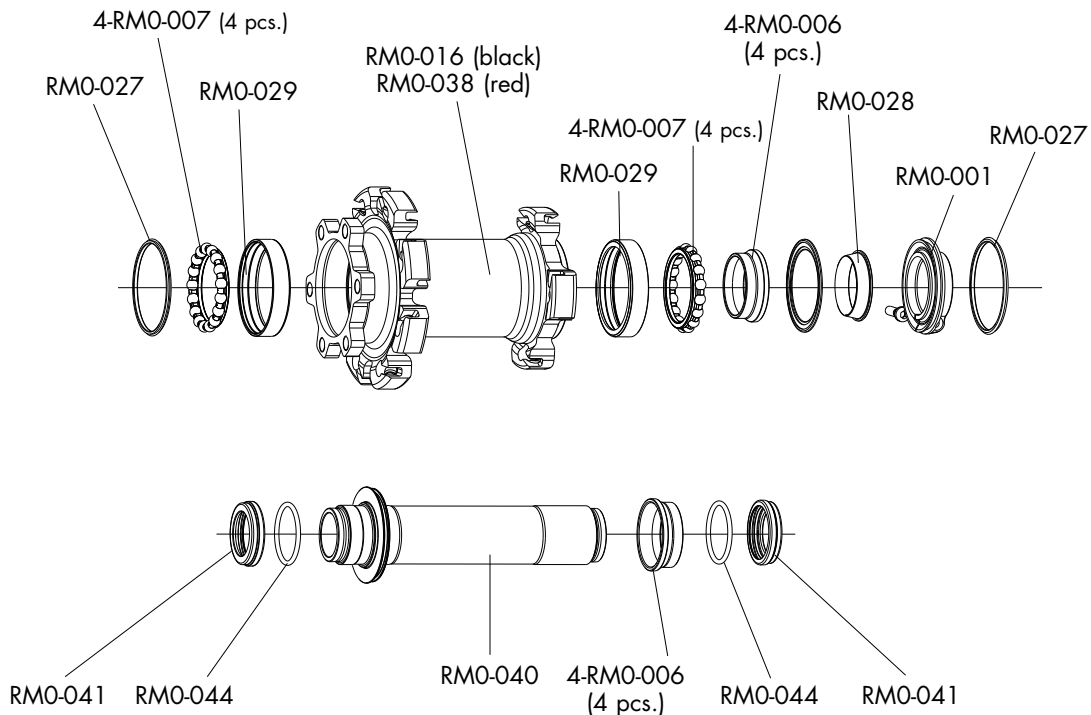
## REAR HUB/MOZZO POSTERIORE/MOYEU ARRIERE





# REDMETALZERO HH DISC 6 BOLTS

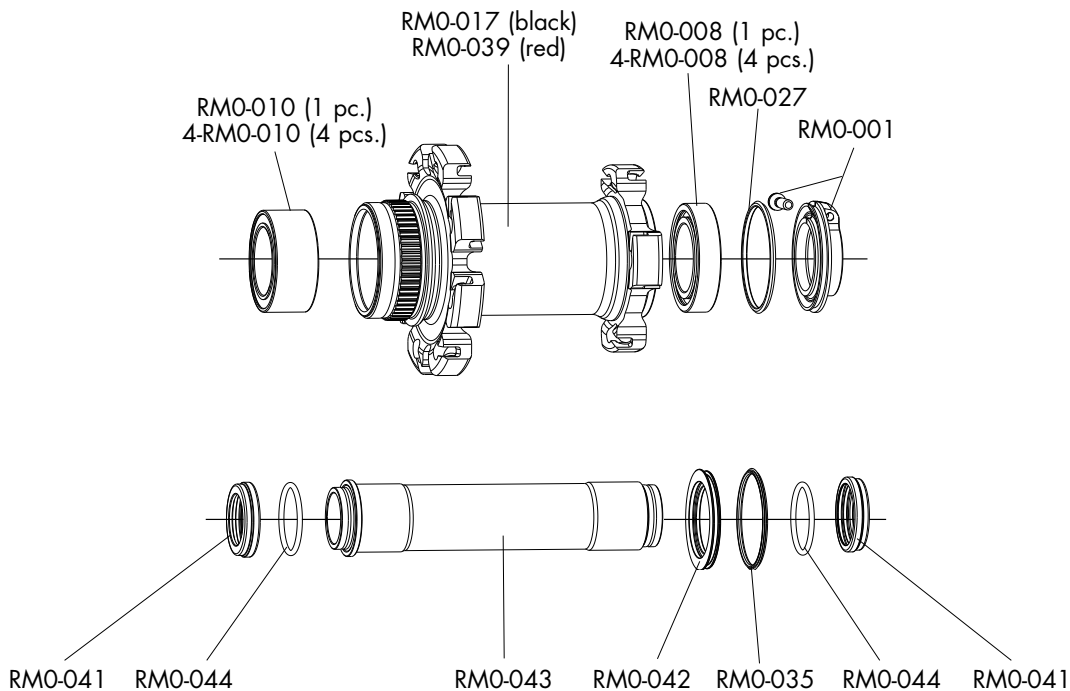
## FRONT HUB/MOZZO ANTERIORE/MOYEU AVANT





# REDMETALZERO HH DISC AFS

## FRONT HUB/MOZZO ANTERIORE/MOYEU AVANT

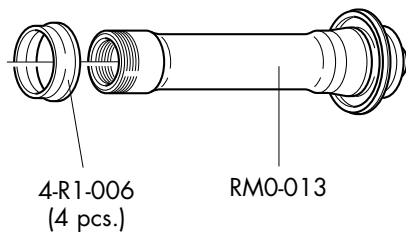
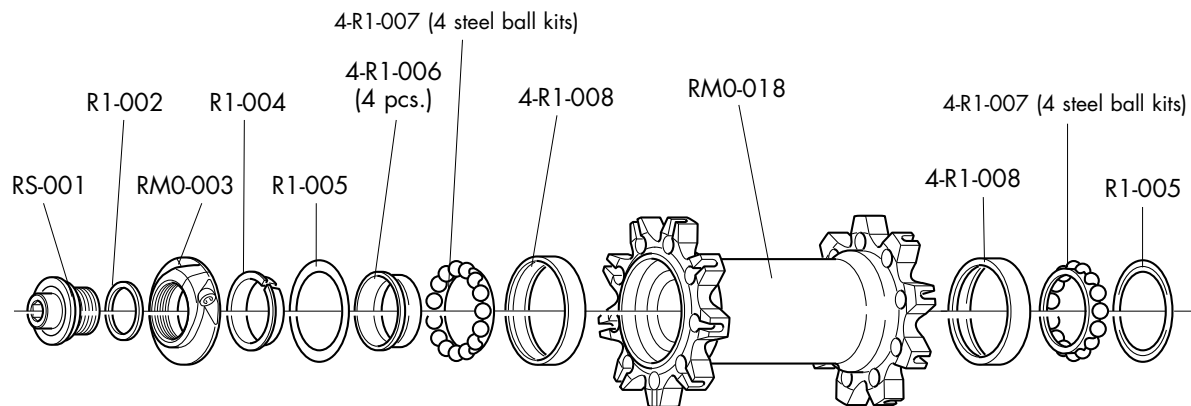






# REDMETALZERO RIM BRAKE

## FRONT HUB/MOZZO ANTERIORE/MOYEU AVANT



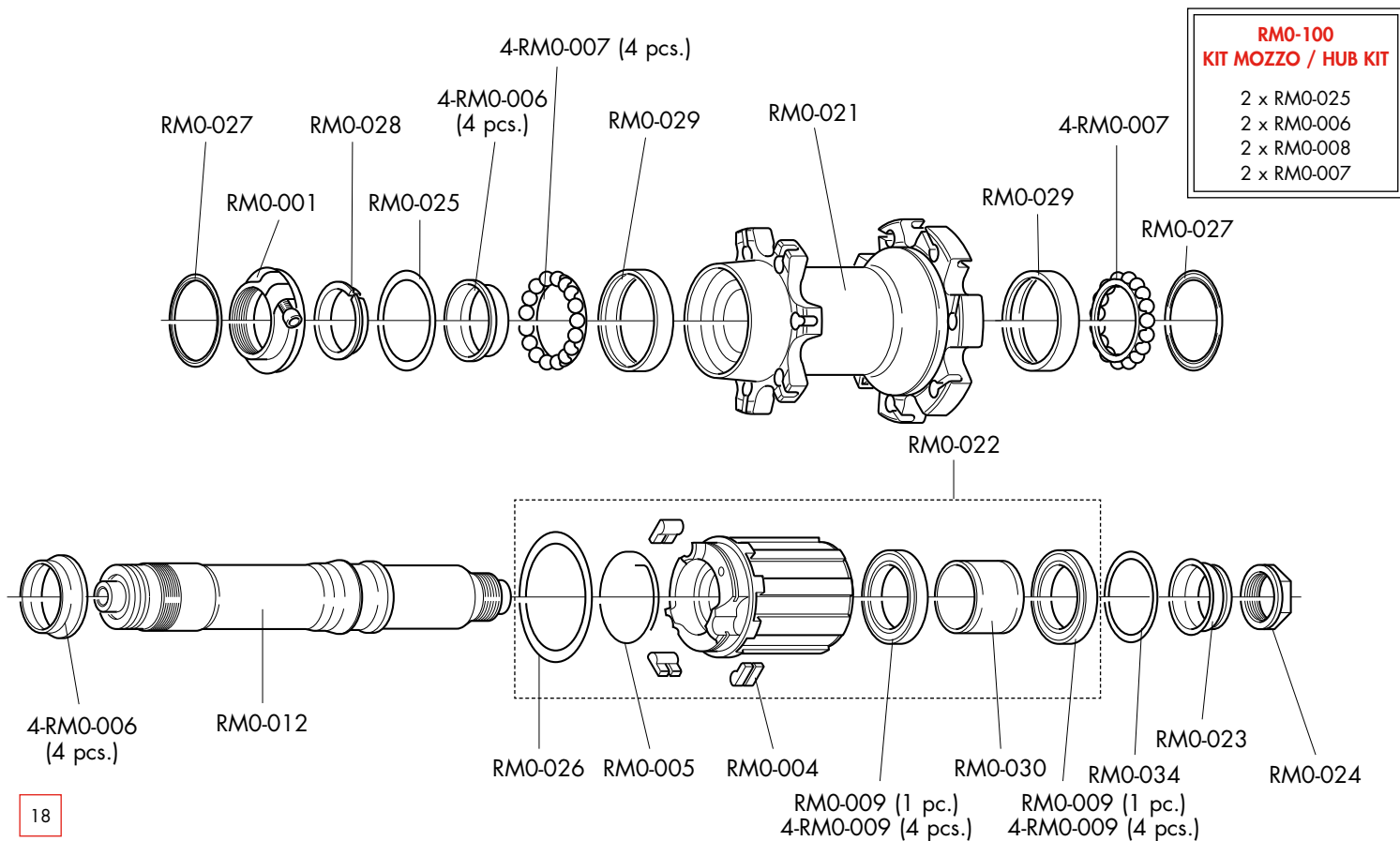
### RS-100 KIT MOZZO / HUB KIT

- 2 x R1-005
- 2 x R1-006
- 2 x R1-008
- 2 x R1-007



# REDMETALZERO RIM BRAKE

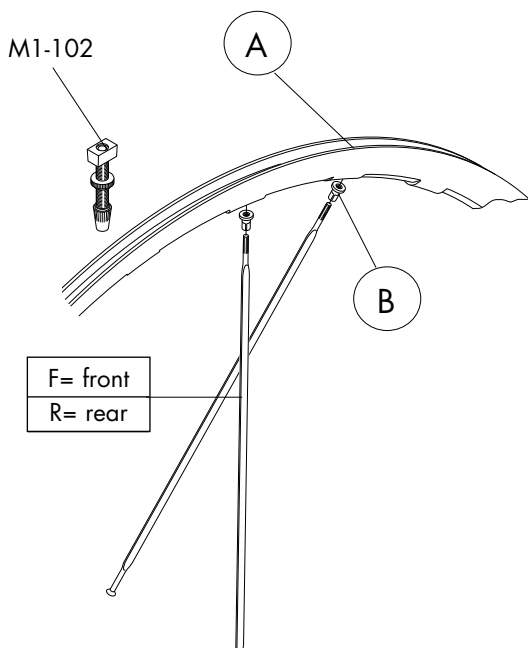
## REAR HUB/MOZZO POSTERIORE/MOYEU ARRIERE





# REDMETAL 1 DISC

## RIMS & SPOKES/CERCHI E RAGGI/JANTES ET RAYONS



**COMPLETE  
WHEELS**

**RIM (A)  
+ M1-102**

**FRONT & REAR**

6 bolts ISO  
**RM1-8DFB**  
**RM1-8DRB**

AFS  
**RM1-8DFBAFS**  
**RM1-8DRBAFS**

**RM1F-DRB**

**SPOKES (KIT 8 pcs.)**

**Front right + B /  
Rear left + B**

**RM1-DS01**

**L. 264 mm**

**Front left (disc side) + B /  
Rear right + B**

**RM1-DS02**

**L. 266 mm**

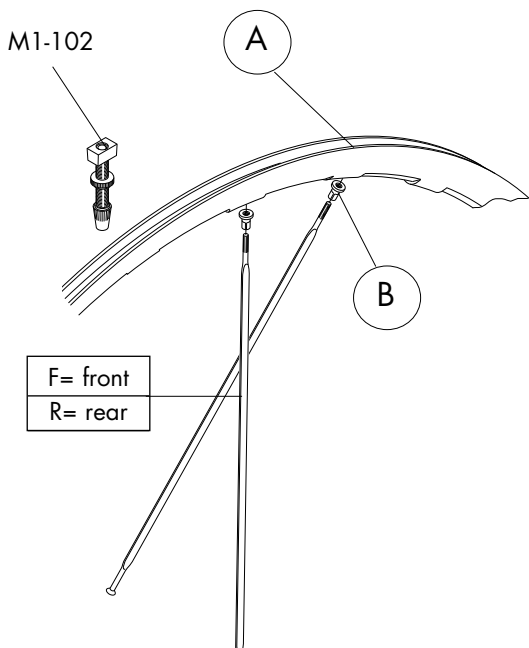
**COMPLETE LABEL KIT  
(front+rear)**

**RM1-LAB8DB**



# REDMETAL 1 HH DISC

## RIMS & SPOKES/CERCHI E RAGGI/JANTES ET RAYONS



COMPLETE WHEELS	RIM (A) + M1-102	
	FRONT HH	REAR
6 bolts ISO <b>RM1-9DFBH</b> <b>RM1-9DRB</b> AFS <b>RM1-9DFBAFSH</b> <b>RM1-8DRBAFS</b>	<b>RM1F-DRHB</b>	<b>RM1F-DRB</b>

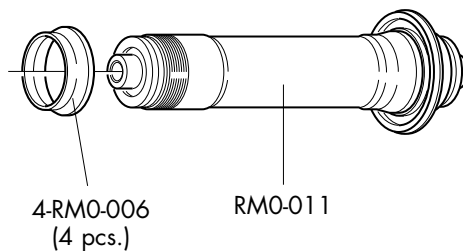
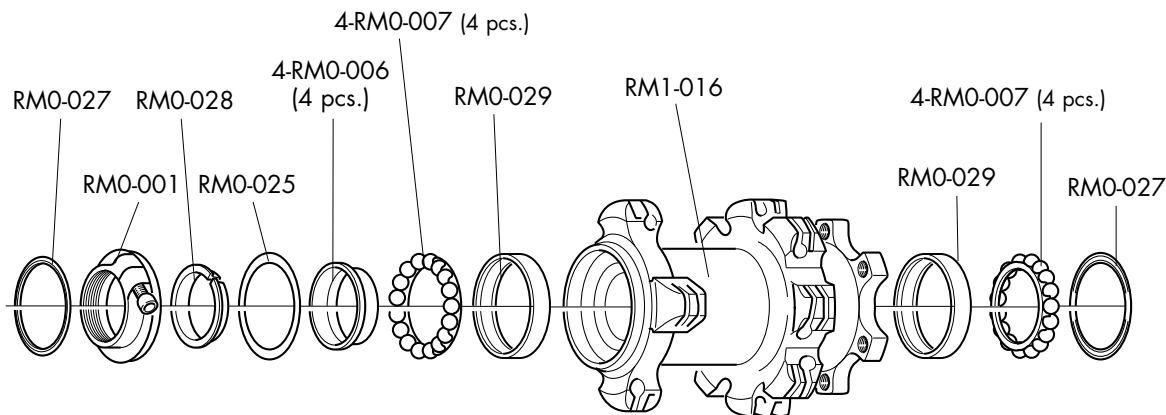
SPOKES (KIT 8 pcs.)	
Front right + B / Rear left + B  <b>RM1-DS01</b>  L. 264 mm	Front left (disc side) + B / Rear right + B  <b>RM1-DS02</b>  L. 266 mm

<b>COMPLETE LABEL KIT</b> (front+rear) <b>RM1-LAB9DHB</b>
---



# REDMETAL 1 DISC 6 BOLTS ISO

## FRONT HUB/MOZZO ANTERIORE/MOYEU AVANT



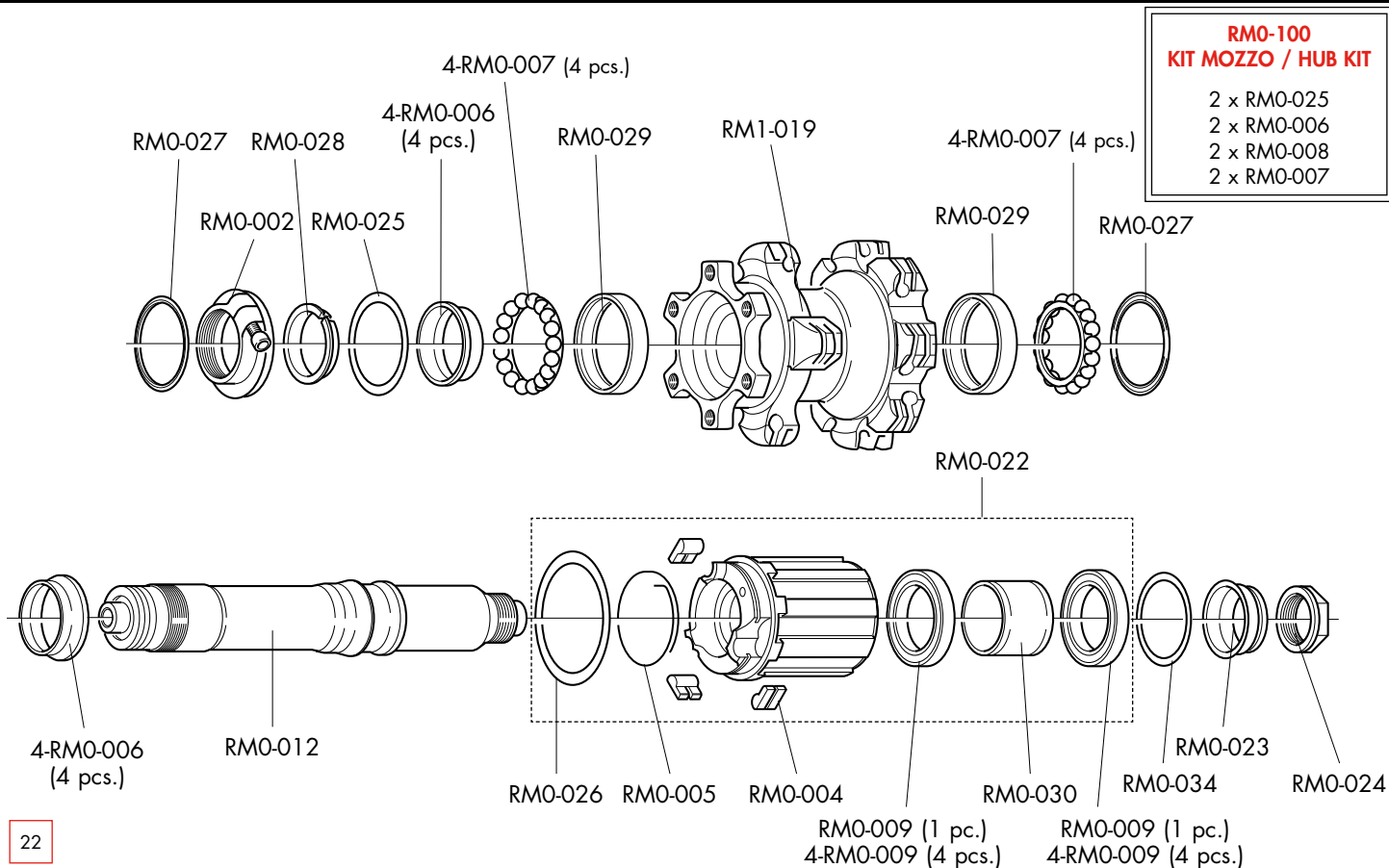
### RM0-100 KIT MOZZO / HUB KIT

- 2 x RM0-025
- 2 x RM0-006
- 2 x RM0-008
- 2 x RM0-007



# REDMETAL 1 DISC 6 BOLTS ISO

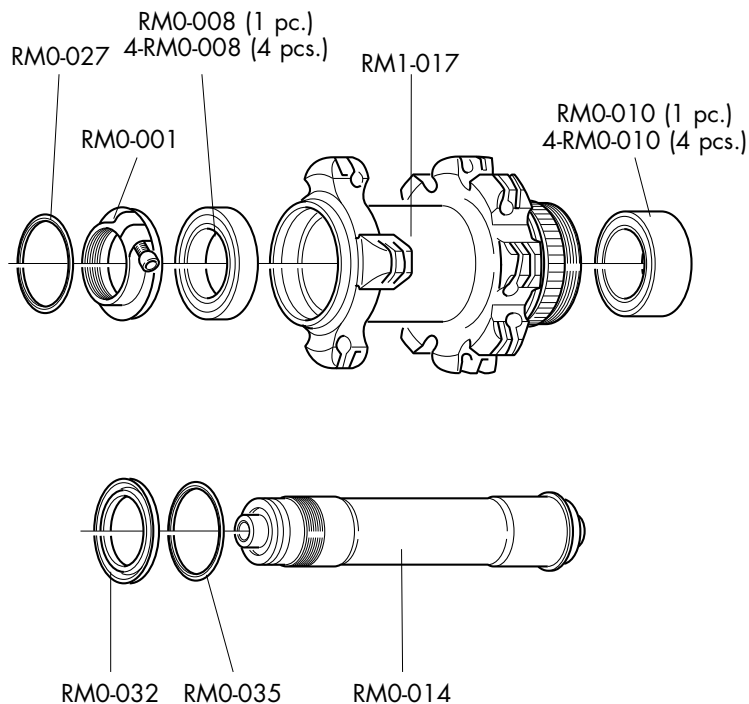
## REAR HUB/MOZZO POSTERIORE/MOYEU ARRIERE





# REDMETAL 1 DISC AFS

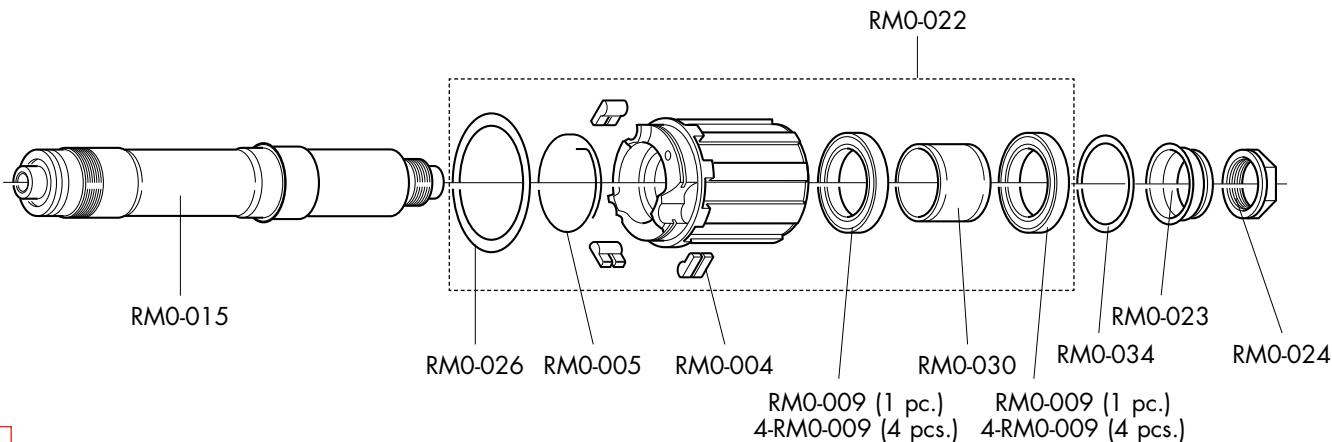
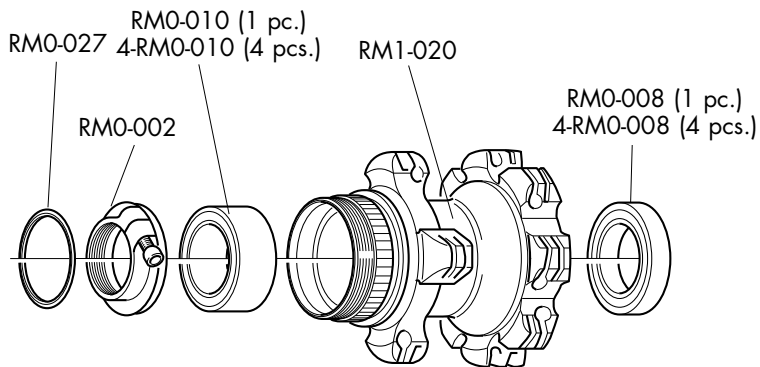
## FRONT HUB/MOZZO ANTERIORE/MOYEU AVANT





# REDMETAL 1 DISC AFS

## REAR HUB/MOZZO POSTERIORE/MOYEU ARRIERE

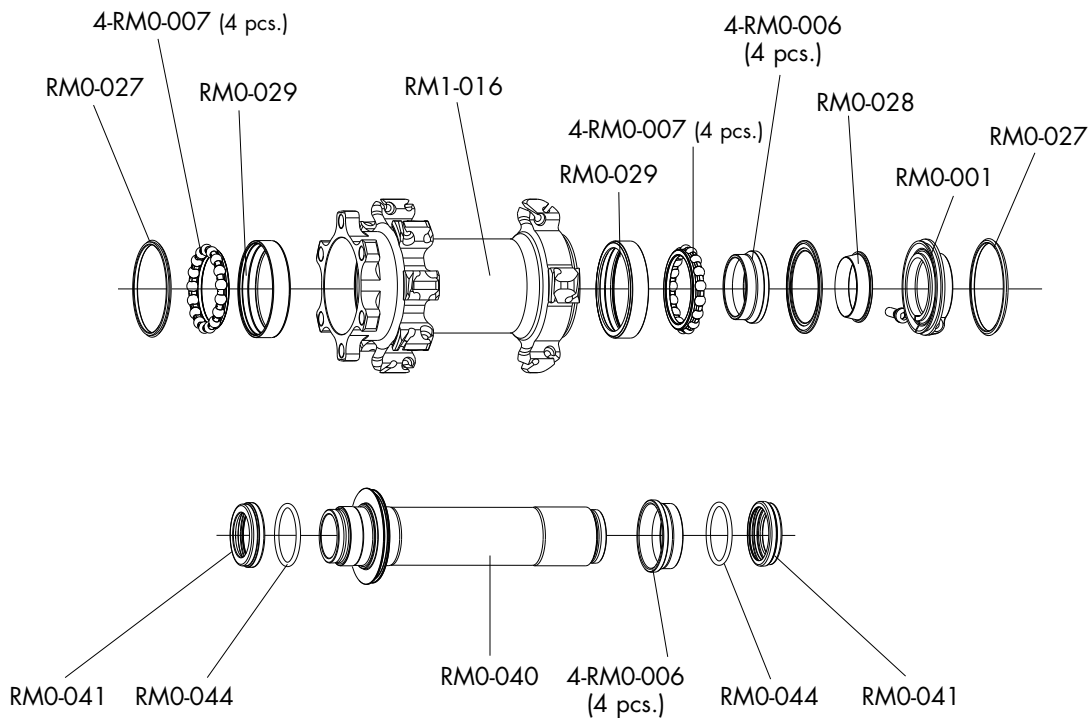






# REDMETAL<sup>1</sup> HH DISC 6 BOLTS

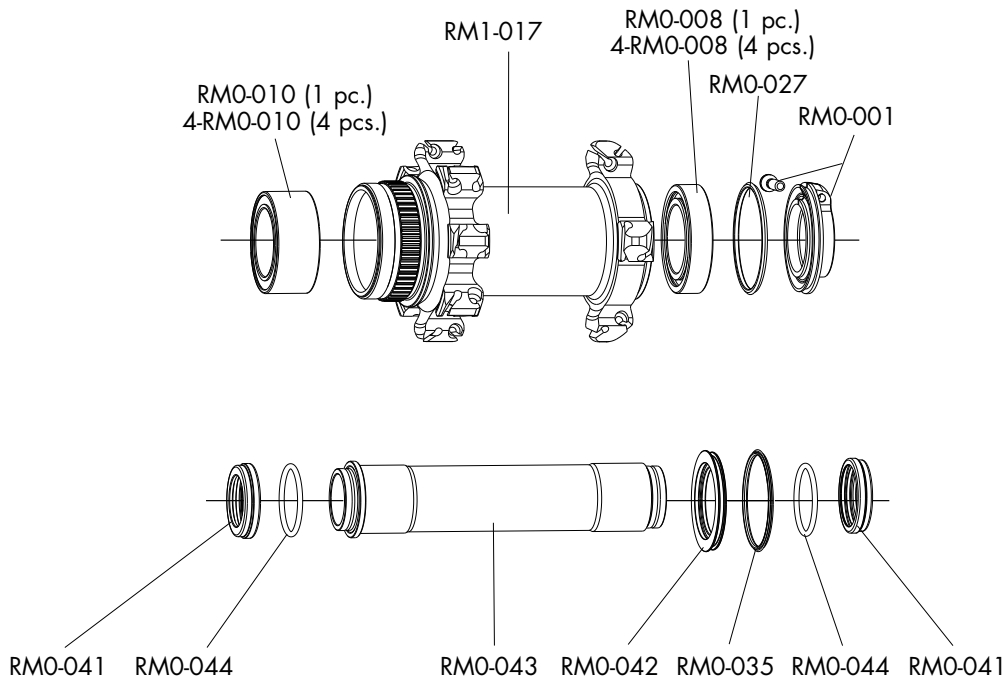
## FRONT HUB/MOZZO ANTERIORE/MOYEU AVANT





# REDMETAL1 HH DISC AFS

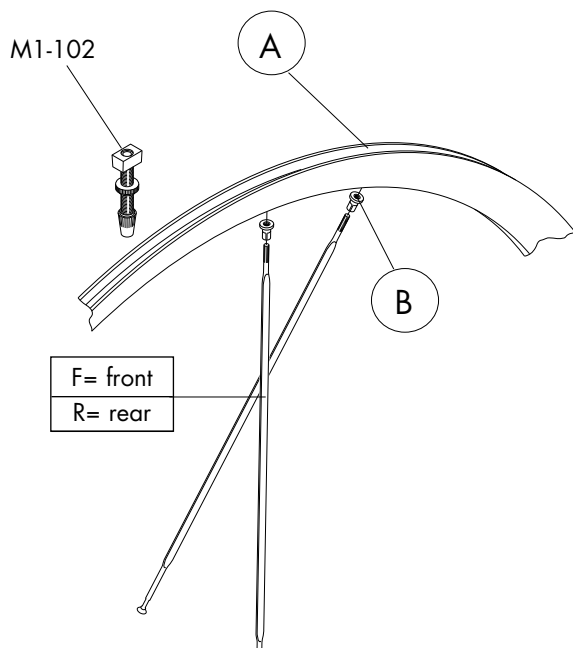
## FRONT HUB/MOZZO ANTERIORE/MOYEU AVANT





# REDMETAL3 DISC

## RIMS & SPOKES/CERCHI E RAGGI/JANTES ET RAYONS



<b>COMPLETE WHEELS</b>	<b>RIM (A) + M1-102</b>
------------------------	-----------------------------

### FRONT & REAR

6 bolts ISO <b>RM3-8DFB</b> <b>RM3-8DRB</b>	<b>RM3F-DRB</b>
AFS <b>RM3-8DFBAFS</b> <b>RM3-8DRBAFS</b>	

### SPOKES (KIT 8 pcs.)

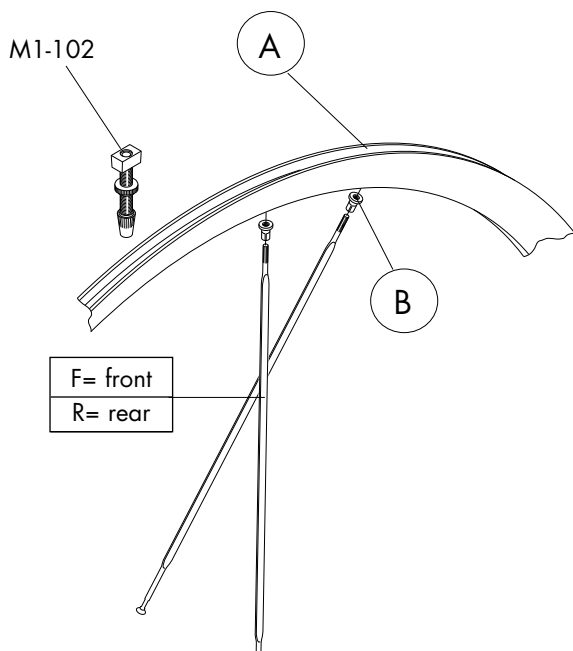
<b>Front right + B / Rear left + B</b>	<b>Front left (disc side) + B / Rear right + B</b>
<b>RM3-DS01</b>	<b>RM3-DS02</b>
<b>L. 264 mm</b>	<b>L. 266 mm</b>

<b>COMPLETE LABEL KIT (front+rear) <b>RM3-LAB8DB</b></b>
--



# REDMETAL3 HH DISC

## RIMS & SPOKES/CERCHI E RAGGI/JANTES ET RAYONS



COMPLETE WHEELS	RIM (A) + M1-102	
	FRONT HH	REAR
6 bolts ISO <b>RM3-9DFBH</b> <b>RM3-9DRB</b> AFS <b>RM3-8DFBAFSH</b> <b>RM3-8DRBAFS</b>	<b>RM3F-DRHB</b>	<b>RM3F-DRB</b>

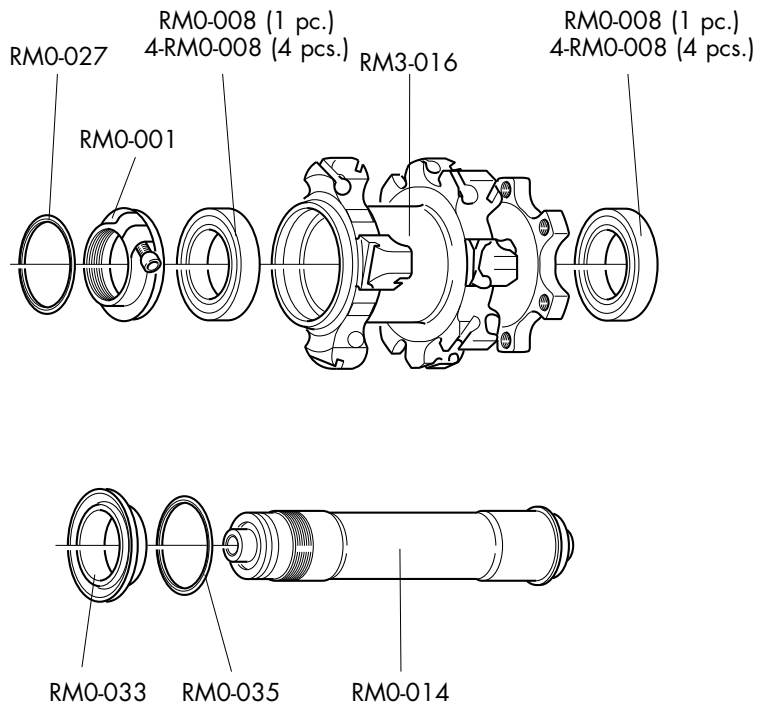
SPOKES (KIT 8 pcs.)	
Front right + B / Rear left + B  <b>RM3-DS01</b>  L. 264 mm	Front left (disc side) + B / Rear right + B  <b>RM3-DS02</b>  L. 266 mm

COMPLETE LABEL KIT (front+rear) <b>RM3-LAB9DHB</b>
--



# REDMETAL3 DISC 6 BOLTS ISO

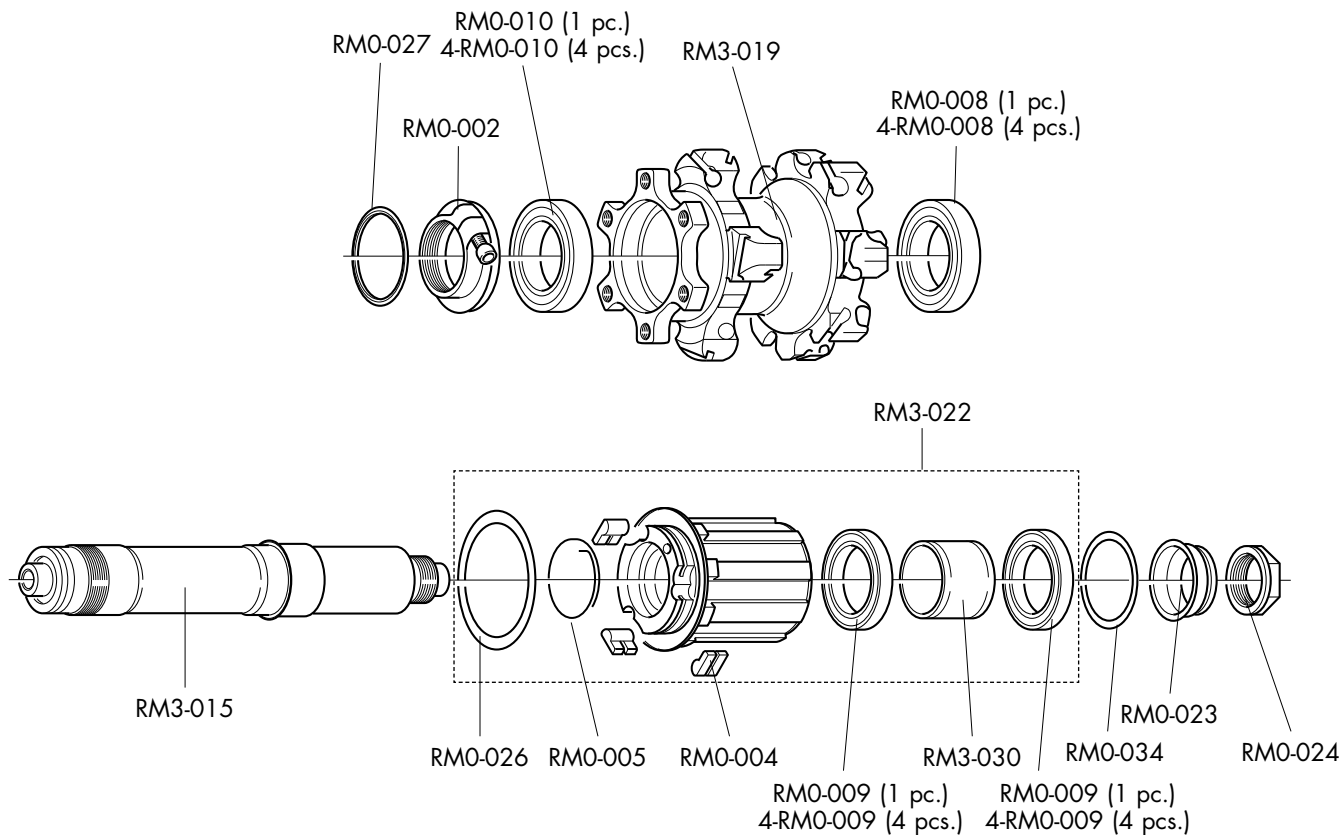
## FRONT HUB/MOZZO ANTERIORE/MOYEU AVANT





# REDMETAL3 DISC 6 BOLTS ISO

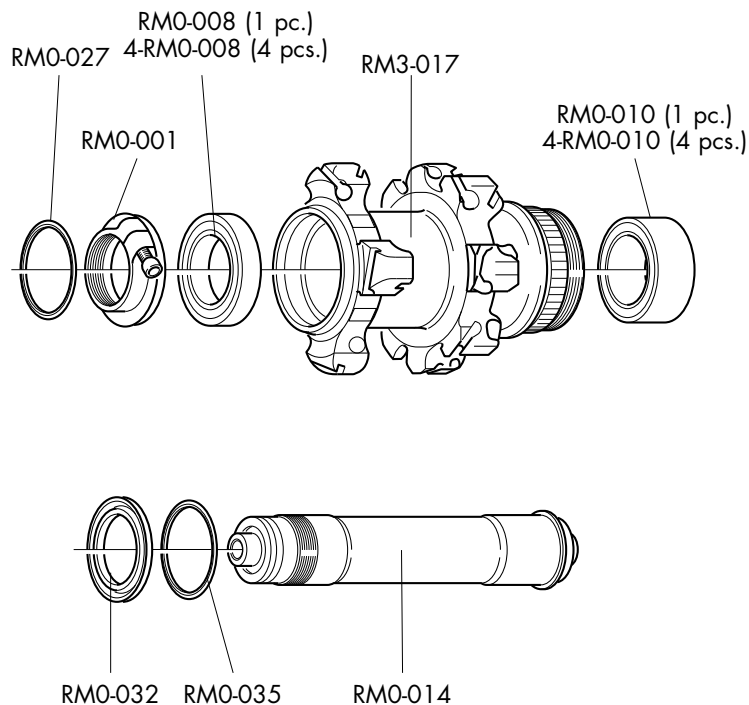
## REAR HUB/MOZZO POSTERIORE/MOYEU ARRIERE





# REDMETAL3 DISC AFS

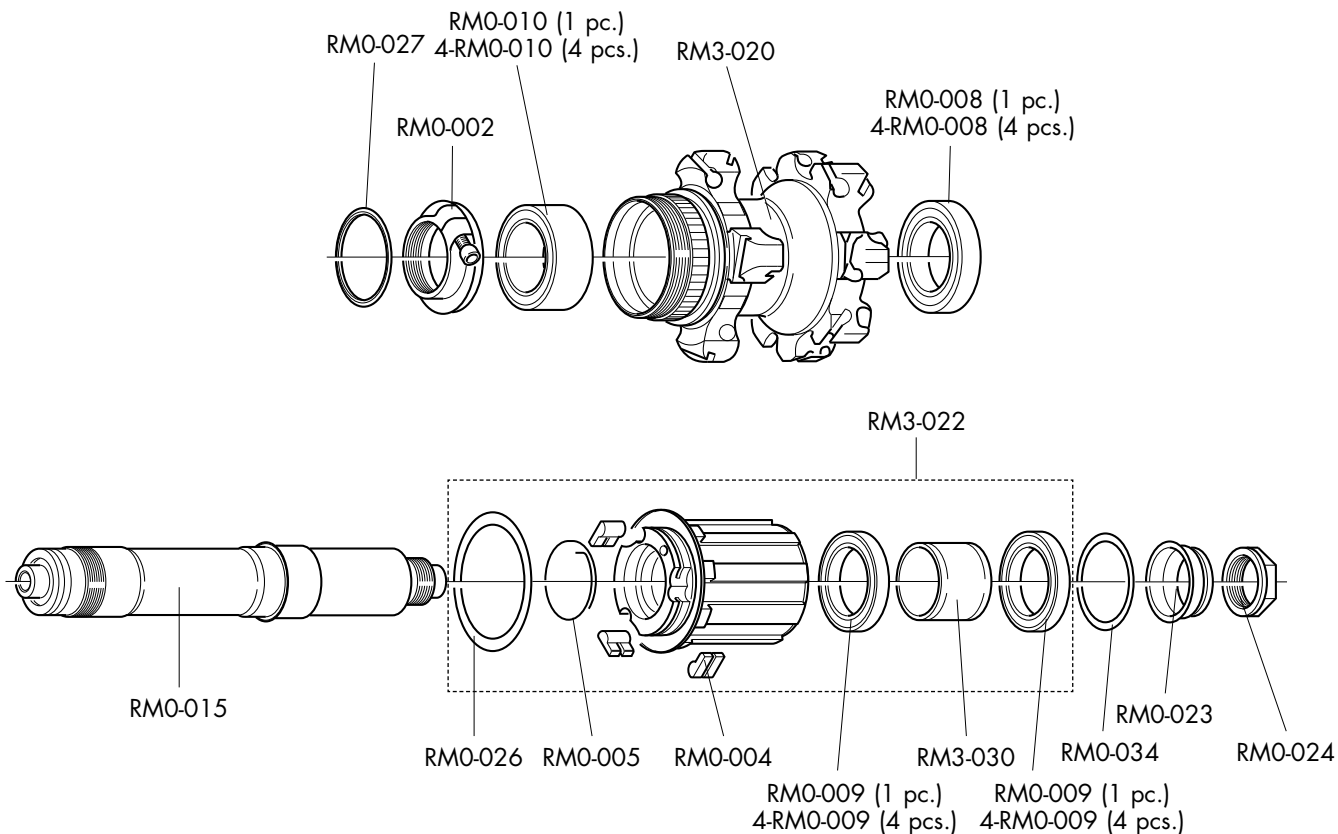
## FRONT HUB/MOZZO ANTERIORE/MOYEU AVANT





# REDMETAL3 DISC AFS

## REAR HUB/MOZZO POSTERIORE/MOYEU ARRIERE

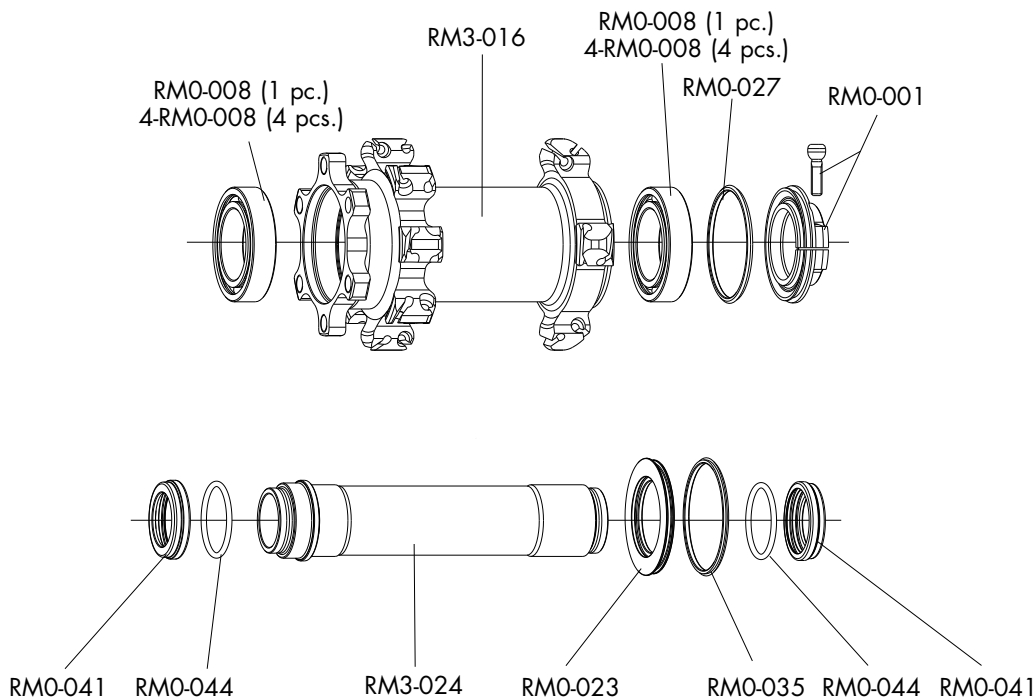






# REDMETAL3 HH DISC 6 BOLTS

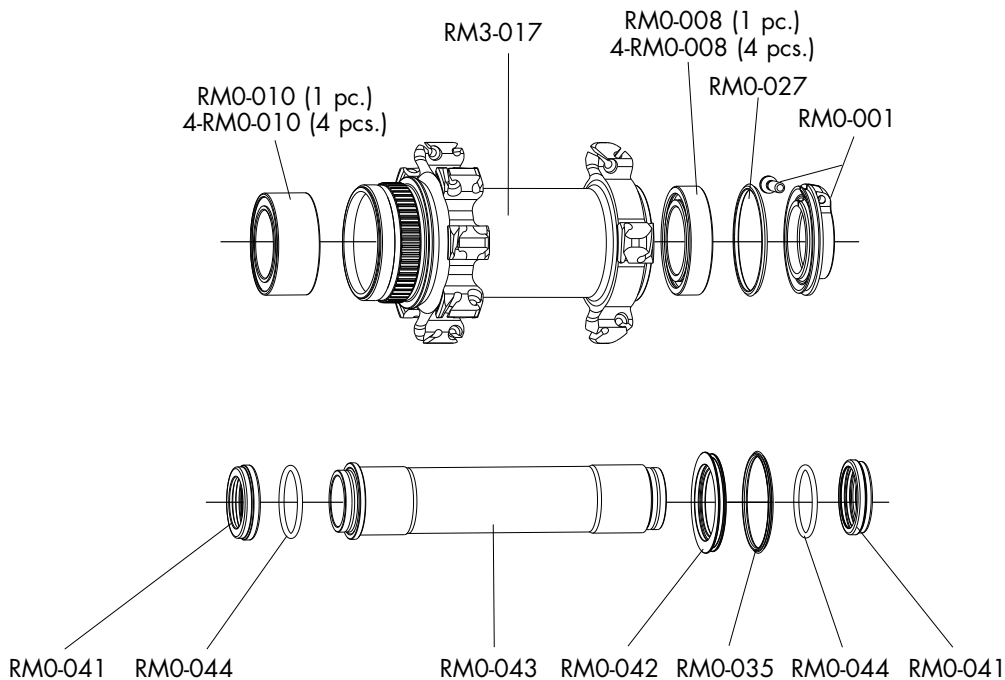
## FRONT HUB/MOZZO ANTERIORE/MOYEU AVANT





# REDMETAL3 HH DISC AFS

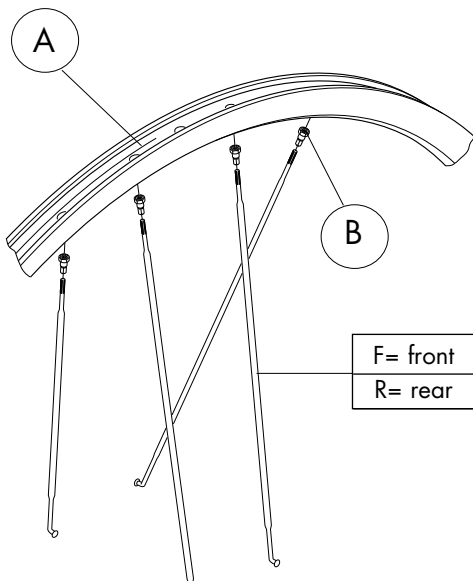
FRONT HUB/MOZZO ANTERIORE/MOYEU AVANT





# REDMETAL5 DISC

## RIMS & SPOKES/CERCHI E RAGGI/JANTES ET RAYONS



<b>COMPLETE WHEELS</b>	<b>RIM (A) + M1-102</b>
------------------------	-----------------------------

FRONT & REAR	
6 bolts ISO <b>RM5-8DFB</b> <b>RM5-8DRB</b>  AFS <b>RM5-8DFBAFS</b> <b>RM5-8DRBAFS</b>	<b>RM5F-DRB</b>

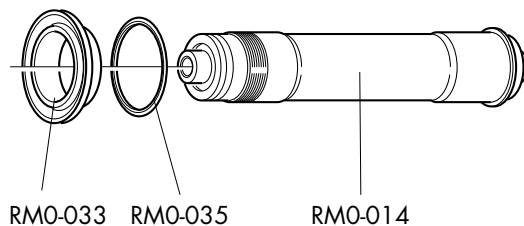
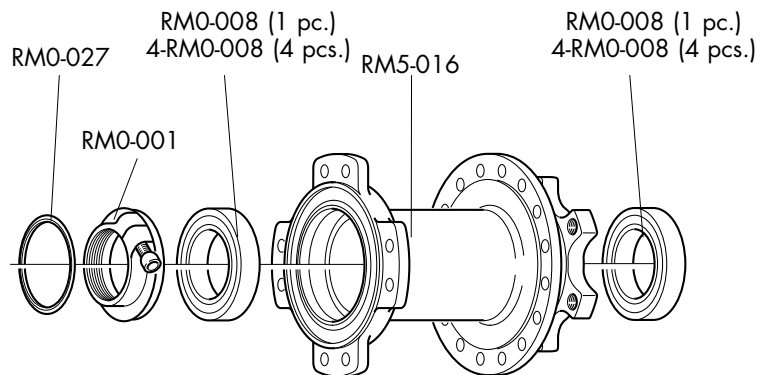
SPOKES (KIT 8 pcs.)	
<b>Front right + B / Rear left + B</b>  <b>RM5-DS01</b>  <b>L. 257 mm</b>	<b>Front left (disc side) + B / Rear right + B</b>  <b>RM5-DS02</b>  <b>L. 262 mm</b>

<b>COMPLETE LABEL KIT</b> <b>(front+rear)</b> <b>RM5-LAB8DB</b>
---



# REDMETAL5 DISC 6 BOLTS ISO

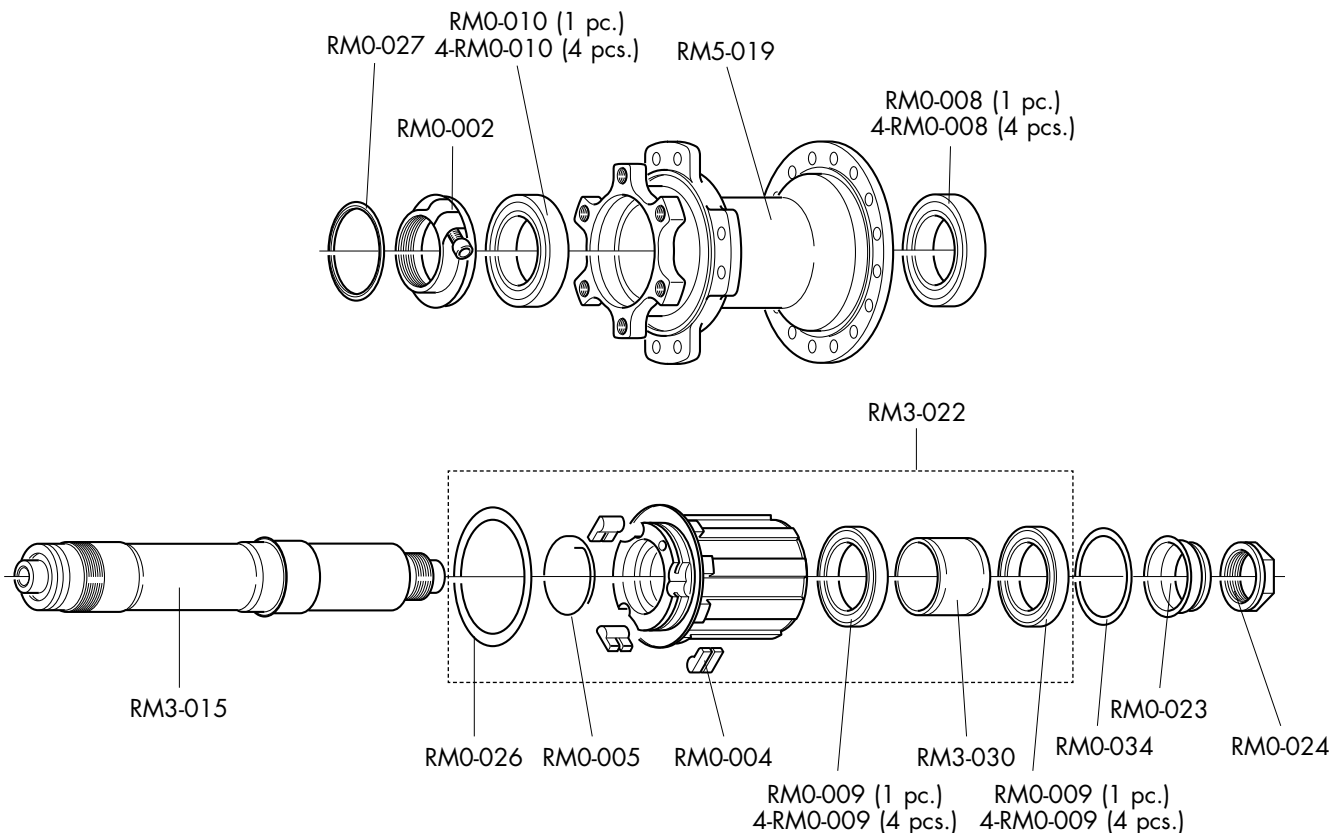
## FRONT HUB/MOZZO ANTERIORE/MOYEU AVANT





# REDMETAL5 DISC 6 BOLTS ISO

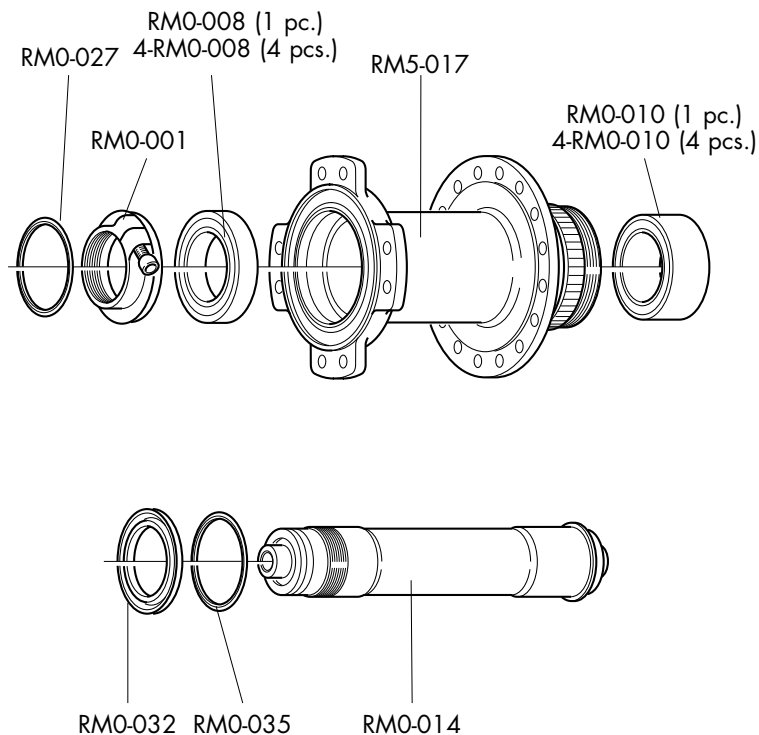
## REAR HUB/MOZZO POSTERIORE/MOYEU ARRIERE





# REDMETAL5 DISC AFS

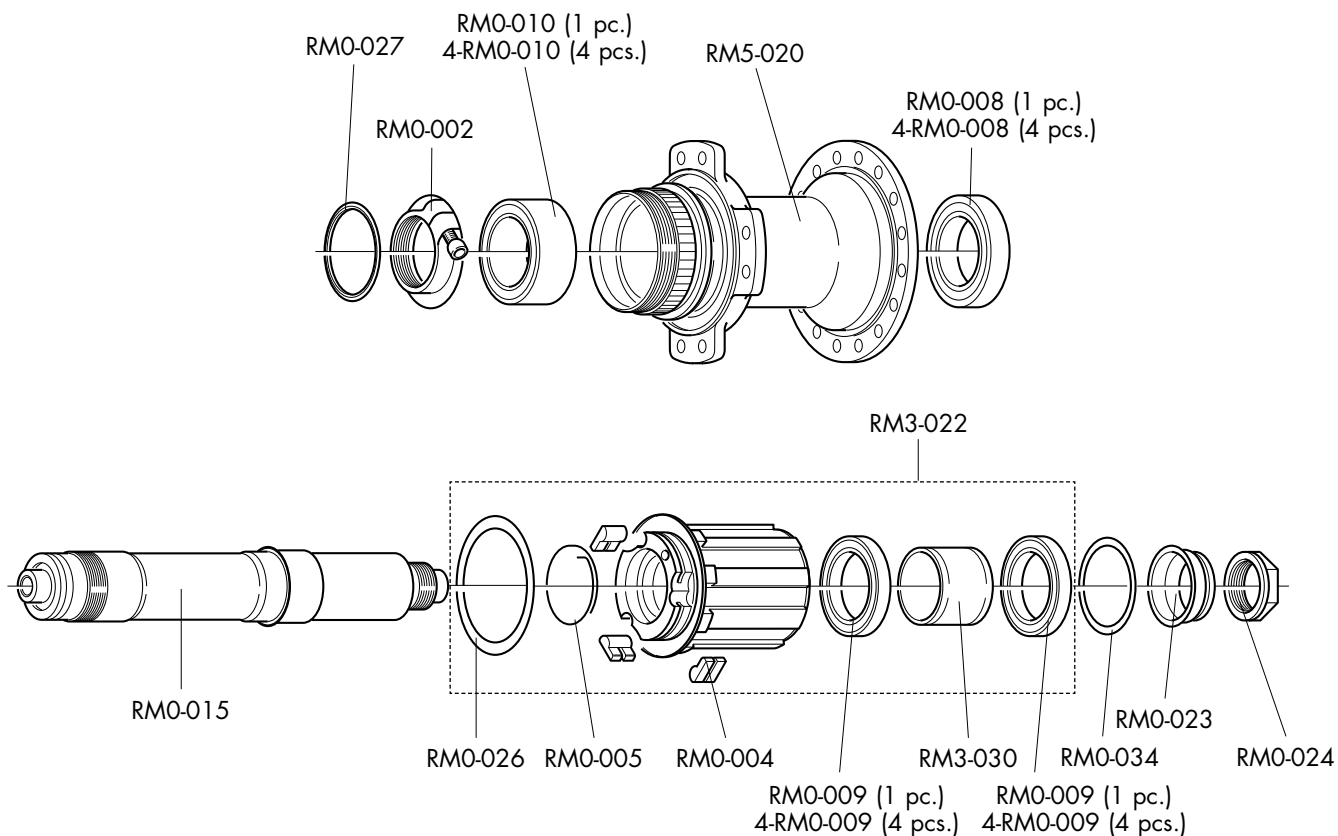
## FRONT HUB/MOZZO ANTERIORE/MOYEU AVANT





# REDMETAL5 DISC AFS

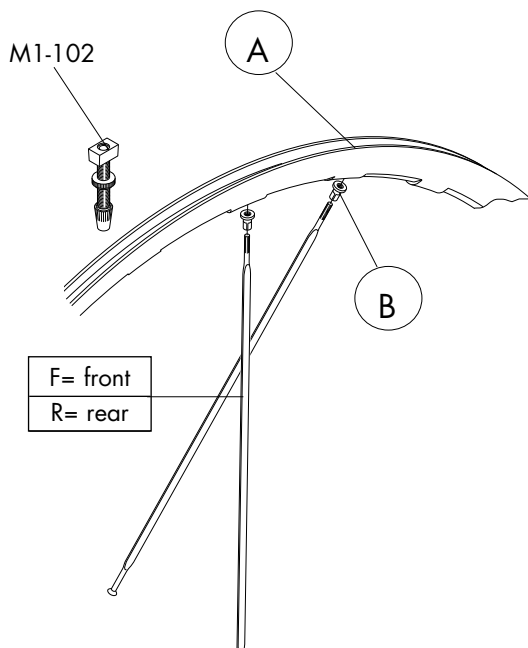
## REAR HUB/MOZZO POSTERIORE/MOYEU ARRIERE





# REDMETAL 29XLR DISC

## RIMS & SPOKES/CERCHI E RAGGI/JANTES ET RAYONS



**COMPLETE  
WHEELS**

**RIM (A)  
+ M1-102**

**FRONT & REAR**

6 bolts ISO

**RMX-9DFB**

**RMX-9DRB**

**RMXF-DRB**

**SPOKES (KIT 8 pcs.)**

**Front + B /  
Rear left + B**

**RMX-DS01**

L. 300,5 mm  
(2,2/1,6/2)

**Rear right + B**

**RMX-DS02**

L. 300,5 mm  
(2,2/1,8/2)

**COMPLETE LABEL KIT**

**(front+rear)**

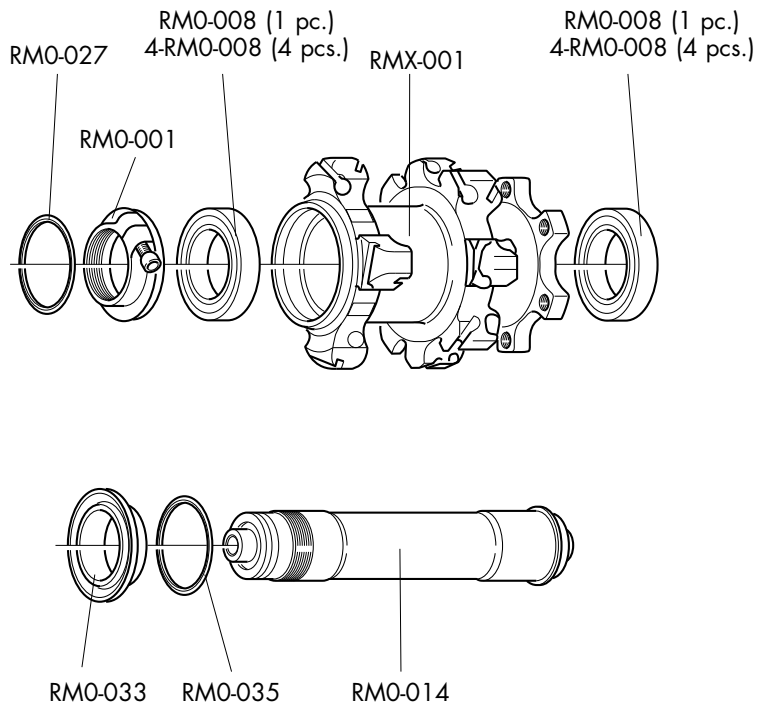
**RMX-LAB9DB**





# REDMETAL 29XLR DISC 6 BOLTS ISO

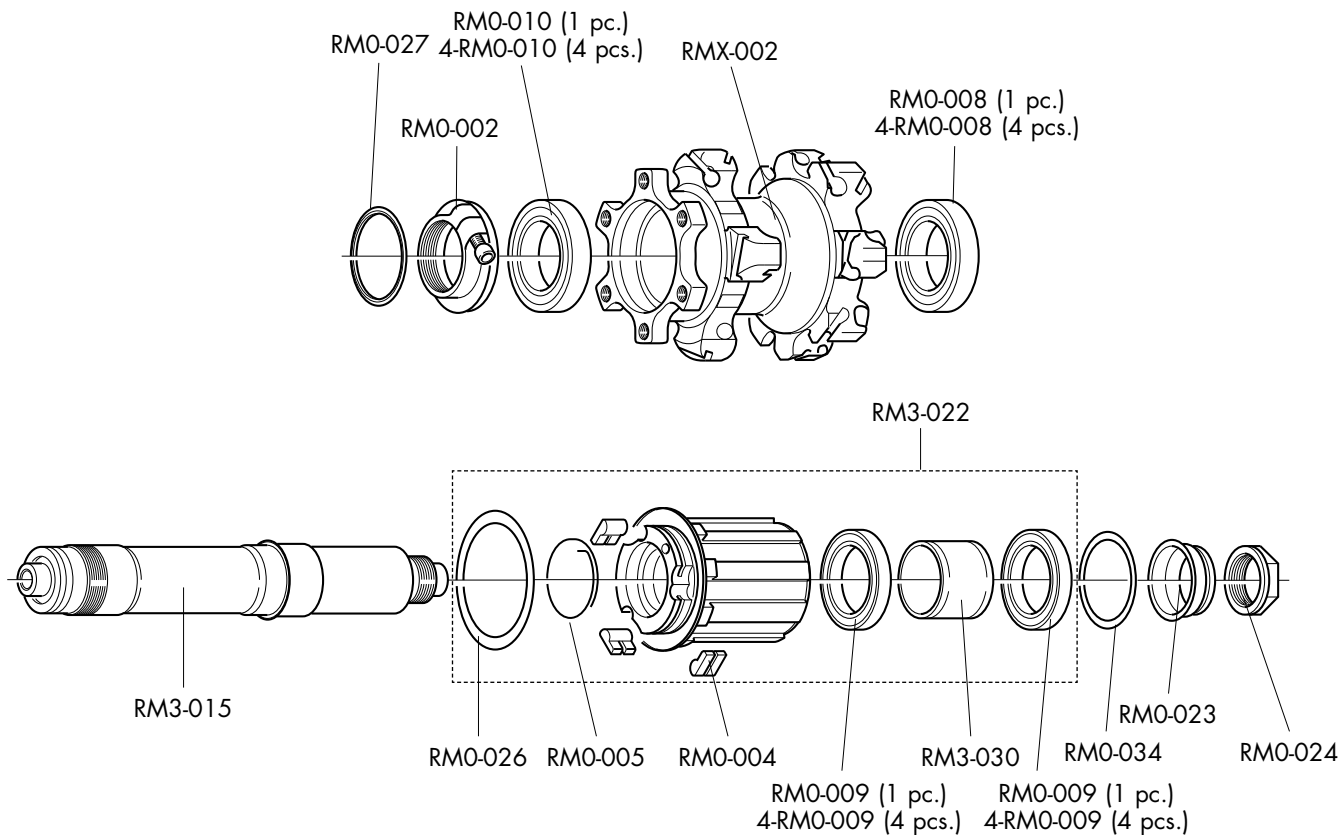
## FRONT HUB/MOZZO ANTERIORE/MOYEU AVANT





# REDMETAL 29XLR DISC 6 BOLTS ISO

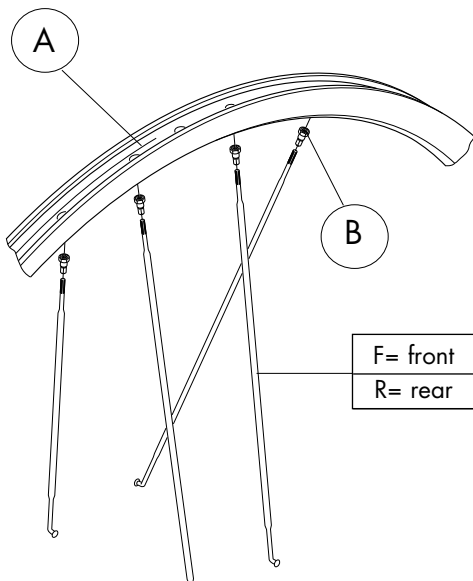
## REAR HUB/MOZZO POSTERIORE/MOYEU ARRIERE





# REDMETAL 29SL DISC

## RIMS & SPOKES/CERCHI E RAGGI/JANTES ET RAYONS



<b>COMPLETE WHEELS</b>	<b>RIM (A) + M1-102</b>
<b>FRONT &amp; REAR</b>	
6 bolts ISO <b>RMS-9DFB</b> <b>RMS-9DRB</b>	<b>RMSF-DRB</b>

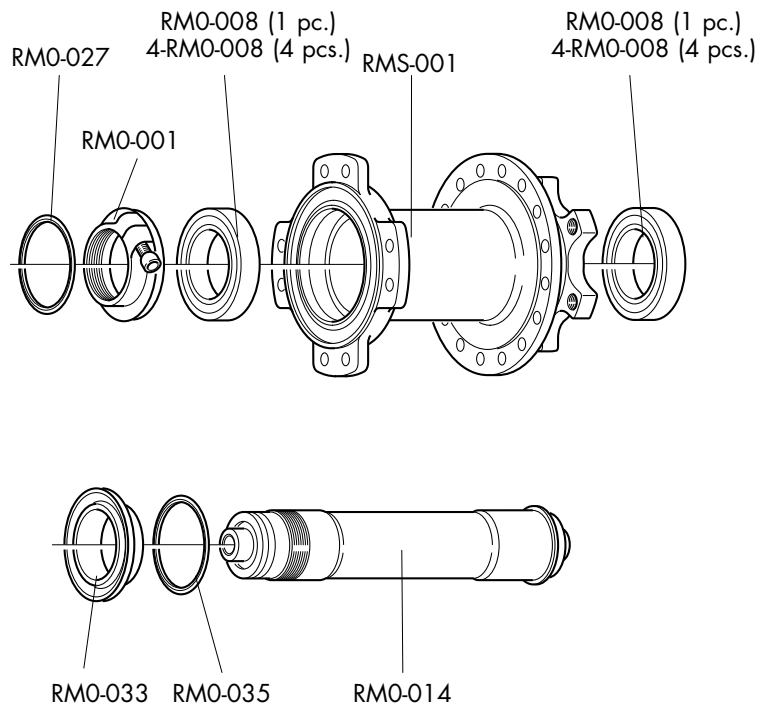
<b>SPOKES (KIT 8 pcs.)</b>	
<b>Front right + B / Rear left + B</b>	<b>Front left (disc side) + B / Rear right + B</b>
<b>RMS-DS01</b>	<b>RMS-DS02</b>
<b>L. 300 mm</b>	<b>L. 296 mm</b>

<b>COMPLETE LABEL KIT (front+rear) <b>RMS-LAB9DB</b></b>
--



# REDMETAL 29SL DISC 6 BOLTS ISO

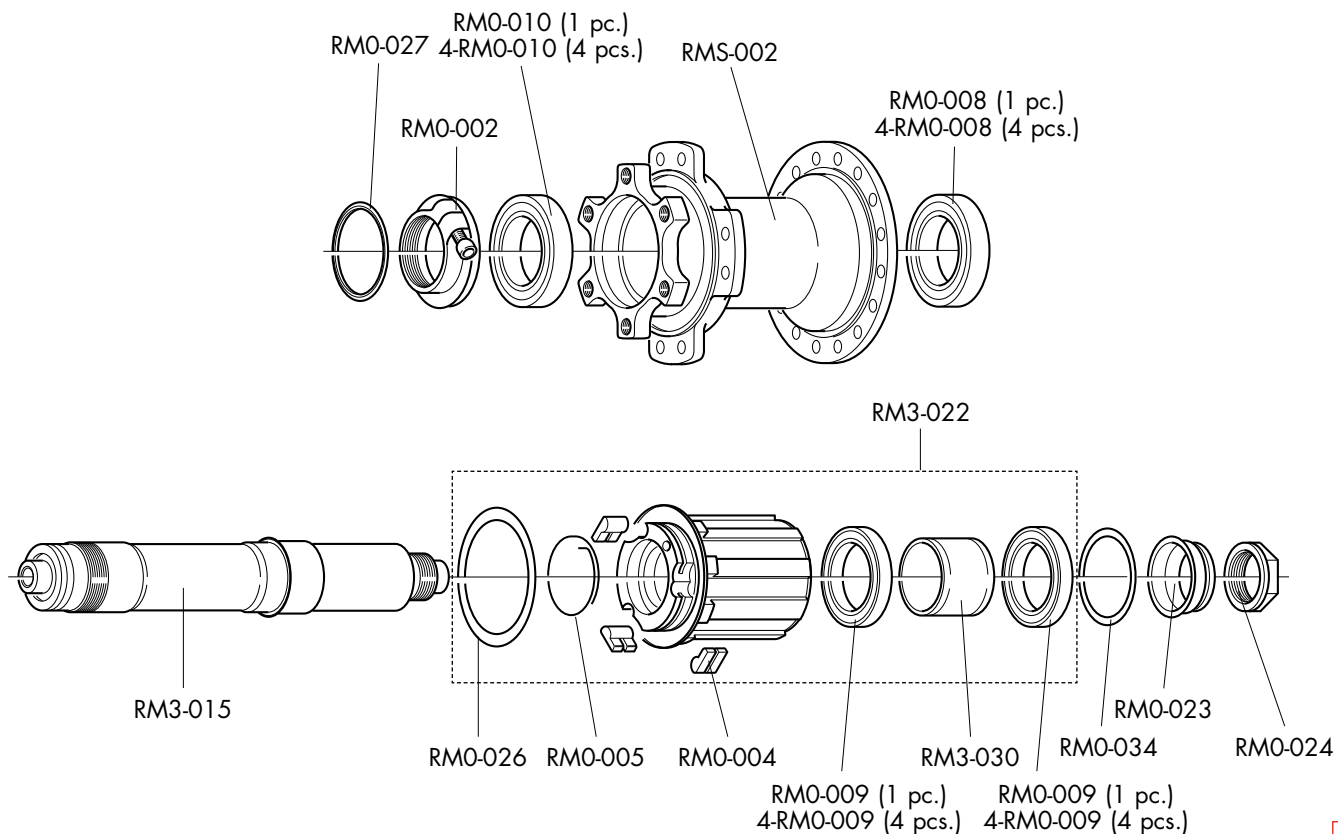
## FRONT HUB/MOZZO ANTERIORE/MOYEU AVANT





# REDMETAL 29SL DISC 6 BOLTS ISO

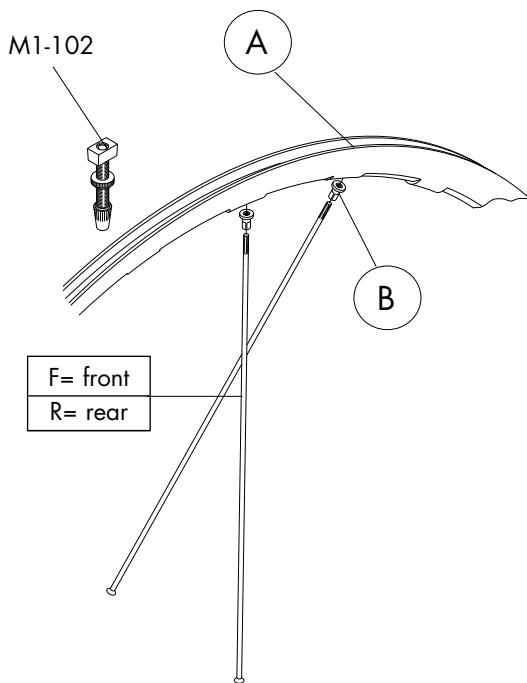
## REAR HUB/MOZZO POSTERIORE/MOYEU ARRIERE





# REDFIRE DISC

## RIMS & SPOKES/CERCHI E RAGGI/JANTES ET RAYONS



<b>COMPLETE WHEELS</b>	<b>RIM (A) + M1-102</b>
	<b>FRONT &amp; REAR</b>
6 bolts ISO <b>RMF-9DFR</b> <b>RMF-9DRR</b>	<b>RMFF-DRR</b>

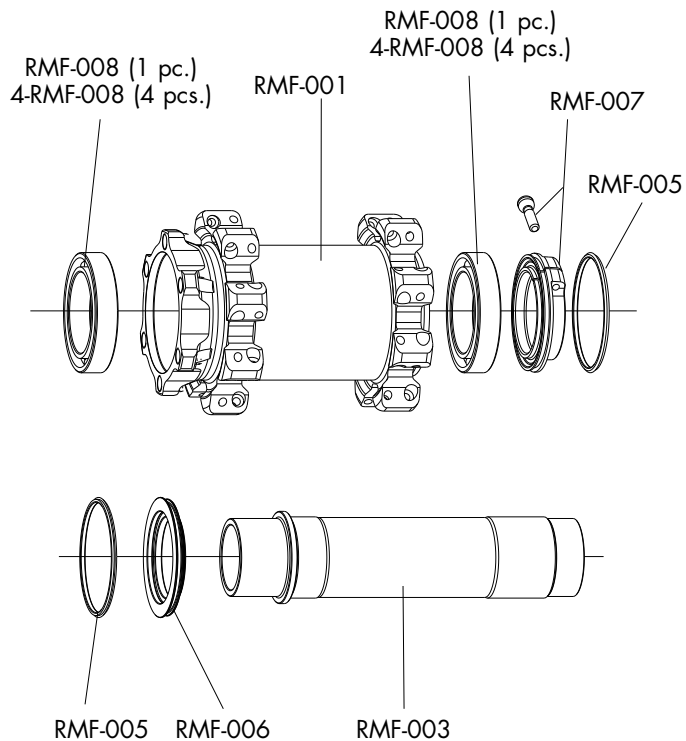
<b>SPOKES (KIT 8 pcs.)</b>	
Front right + B / Rear left + B  <b>RMF-DS01</b>  L. 265 mm	Front left (disc side) + B / Rear right + B  <b>RMF-DS02</b>  L. 266 mm

<b>COMPLETE LABEL KIT (front+rear) RMF-LAB9DR</b>
---



# REDFIRE DISC

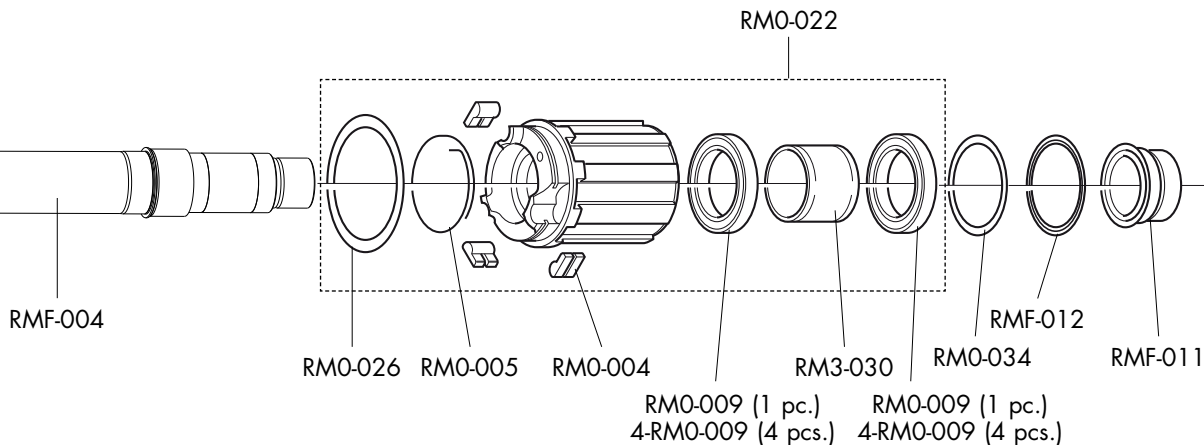
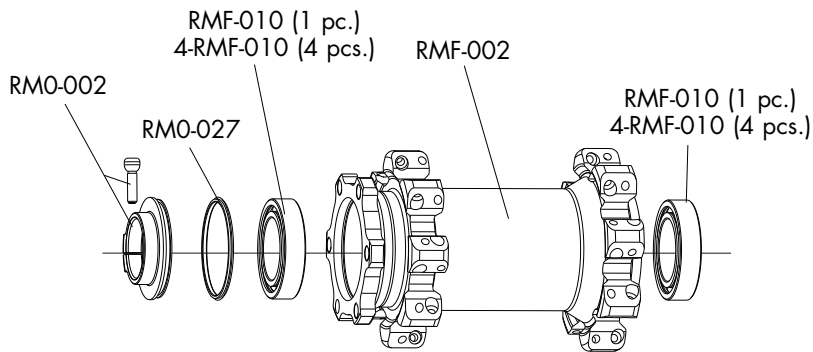
## FRONT HUB/MOZZO ANTERIORE/MOYEU AVANT





# REDFIRE DISC 6 BOLTS ISO

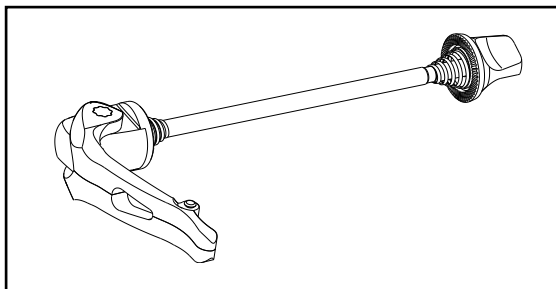
## REAR HUB/MOZZO POSTERIORE/MOYEU ARRIERE







# QUICK-RELEASES/BLOCCAGGI/BLOCAGES

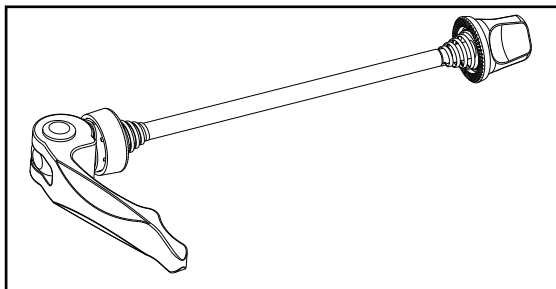


## **RM0-QF**

Bloccaggio anteriore RED CARBON / RED METAL ZERO / 1 / 3 / 29 XLR  
RED CARBON / RED METAL ZERO / 1 / 3 / 29 XLR front quick release  
Blocage avant RED CARBON / RED METAL ZERO / 1 / 3 / 29 XLR

## **RM0-QR**

Bloccaggio posteriore RED CARBON / RED METAL ZERO / 1 / 3 / 29 XLR  
RED CARBON / RED METAL ZERO / 1 / 3 / 29 XLR rear quick release  
Blocage arrière RED CARBON / RED METAL ZERO / 1 / 3 / 29 XLR



## **RM5-QF**

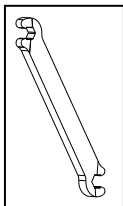
Bloccaggio anteriore RED METAL 5 / 29 SL  
RED METAL 5 / 29 SL front quick release  
Blocage avant RED METAL 5 / 29 SL

## **RM5-QR**

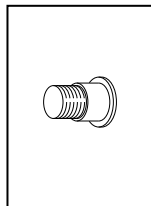
Bloccaggio posteriore RED METAL 5 / 29 SL  
RED METAL 5 / 29 SL rear quick release  
Blocage arrière RED METAL 5 / 29 SL



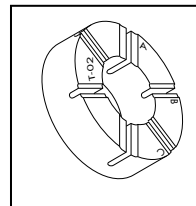
# TOOLS & VARIOUS/UTENSILI e VARI/ OUTILS et DIVERSES



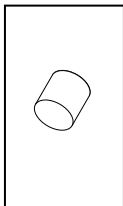
**T-07**  
Chiave tiraraggi  
Spoke wrench  
Clé à rayons



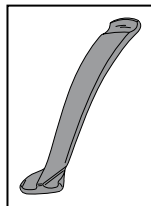
**T-03** RED METAL ZERO/RED CARBON  
**T-10** RED METAL 1 / 3 / 29 XLR / FIRE  
Inserto nipplo attira-magnete  
Magnet-attracting nipple insert  
Insert d'écrou pour attirer l'aimant



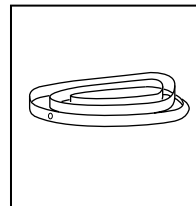
**T-02**  
Anello anti-rotazione raggi  
Spoke antirotation ring  
Bague antirotation des rayons



**T-05**  
Magnete guida-nipplo  
Nipple guide magnet  
Aimant de guidage écrou



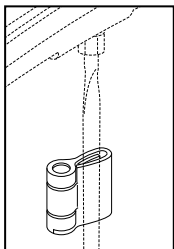
**WH-009HYC**  
Leva in composito per rimozione copertoncino  
Composite lever for removing clinchers  
Démonte-pneus en composite



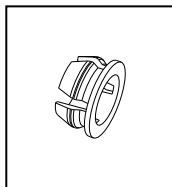
**RM5-RT** RED METAL 5  
**RMS-RT** RED METAL 29 SL  
Rim-tape



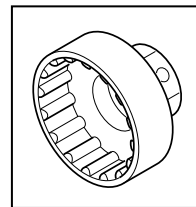
# TOOLS & VARIOUS/UTENSILI e VARI/ OUTILS et DIVERSES



**T-09**  
Magnete velocità  
SPD magnet  
Aimant vitesse



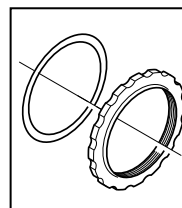
**RMC-014**  
Bussola di riduzione sede valvola  
Bushing to reduce valve hole  
Boucle de réduction trou de valve



**UT-BB130**  
Atrezzo per ghiera AFST™  
Tool for AFST™ locking  
Outil pour écrou AFST™



**WB-02**  
Borsa per ruota  
Wheel bag  
Sac à roue



**M1-101** (1 pc.)  
**4-M1-101** (4 pcs.)  
Ghiera AFS™  
AFS™ locking  
Ecrou AFS™